

MOUNTING INSTRUCTION FOR ROLLER DOORS

MODELS

DS260

DS290

DS291

DS300

DS301

DS305

DS306

DS320

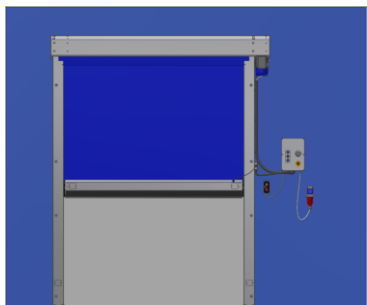
DS350

DS375

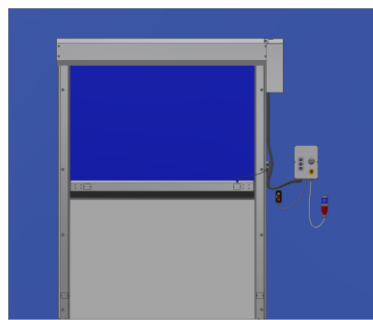
Content

The instruction covers.....	3
Content of delivery.....	3
Type of wall/fastening.....	3
Mounting.....	4
Tools for mounting.....	4
Before mounting	4
Mounting of counterframe (option)	5
Mounting of frame leg on roll	5
Mounting and adjustment	7
Final mounting	9
Cleaning after mounting	10
Documentation	10

**DS290 + DS291 + DS300
DS301 + DS305 + DS306**



DS350 + DS375



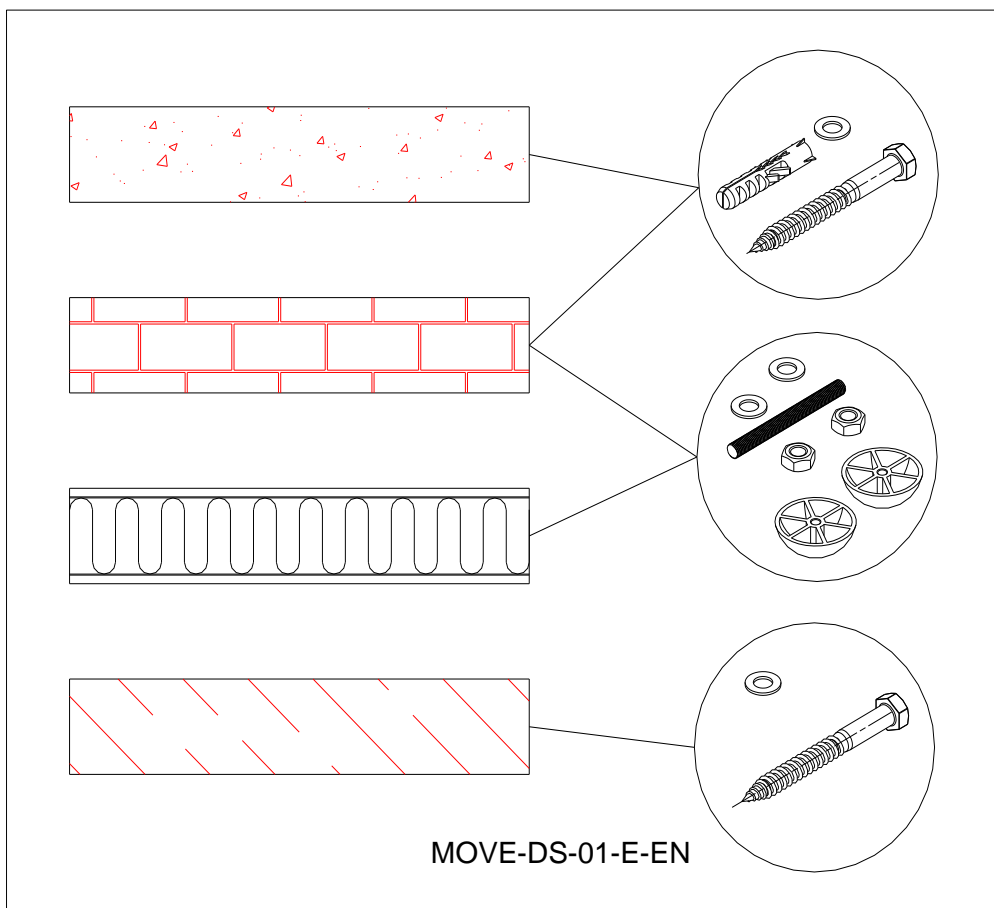
The instruction covers

This instruction covers all variations of the models stated on the front page. A variation contains the model number and following letters and possible numbers. For example, a variation can be (based on the model number DS320): DS320P
DS700-DS855 are not covered by this instruction.

Content of delivery

Description	Comment
Counter frame, 3 or 4 frameparts incl. connectors	Option
Right and left frameleg	
Rolle	
Control	
Necessary bolts, washers, muster, screws and plugs for installation incl. toothed rim for signaller	

Type of wall/fastening



Mounting

Tools for mounting

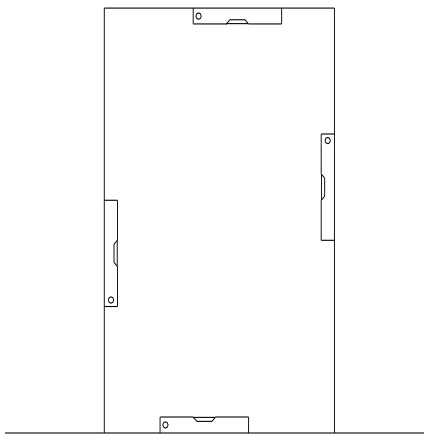
Wedges/chocks
Spirit level
Power drill/screwdriver/riveter
E.g. adhesive
E.g. a truck or other lifting gear

Before mounting

Make sure the wall opening is level and perpendicular and in accordance with the order confirmation.

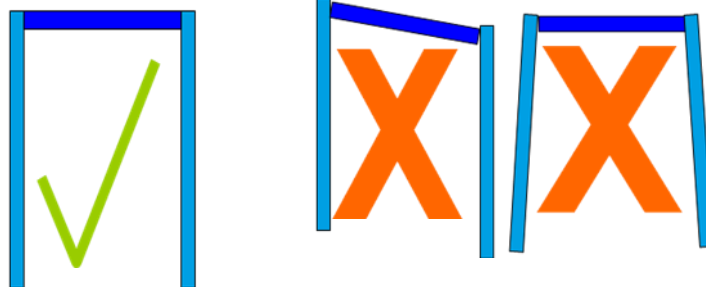
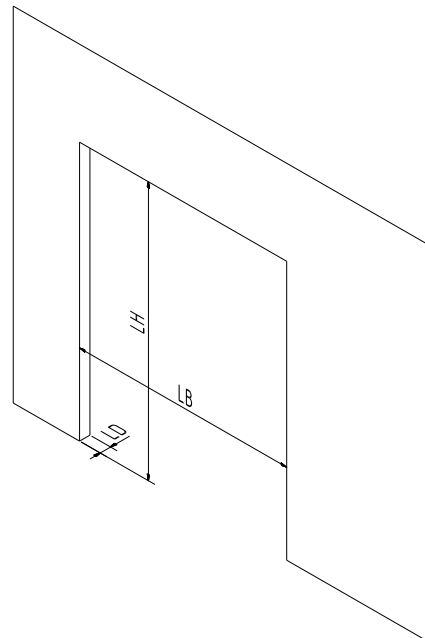
The wall shall be able to carry the door.

If this is not the case, the wall shall be reinforced or a selfcarring frame must be installed.

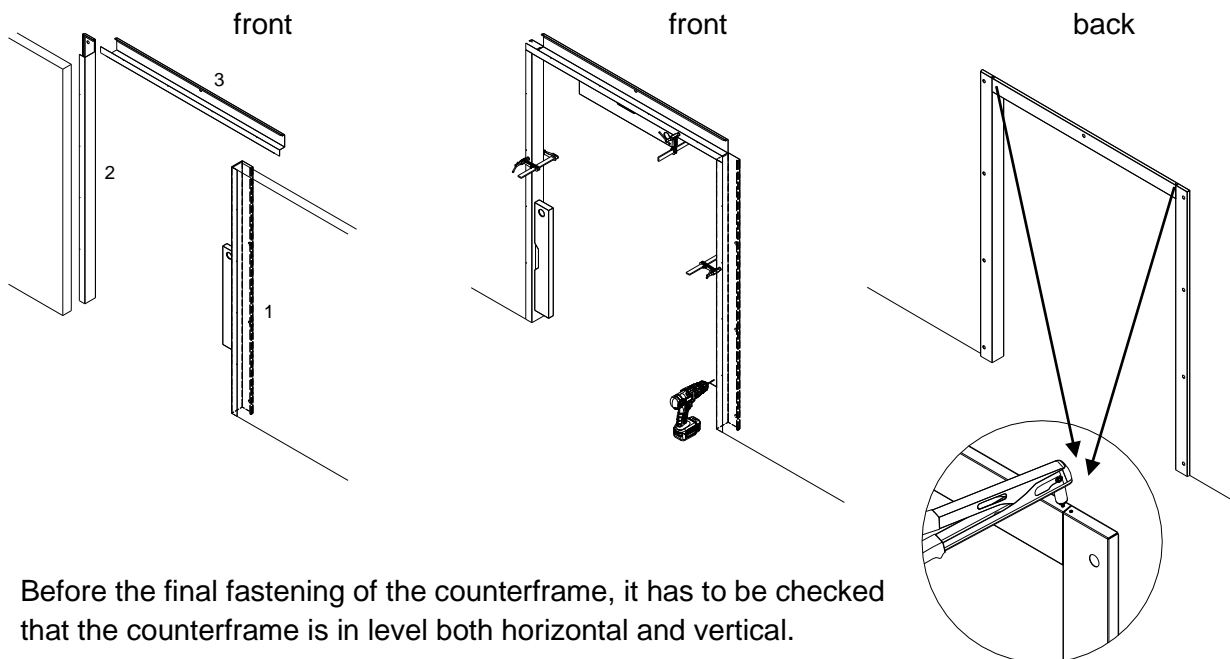


Kontroller om gulv og hul er i vater.
Control if floor and hole is in level.

Kontroller mål på murhulsåbning.
Control measurement of wall opening.



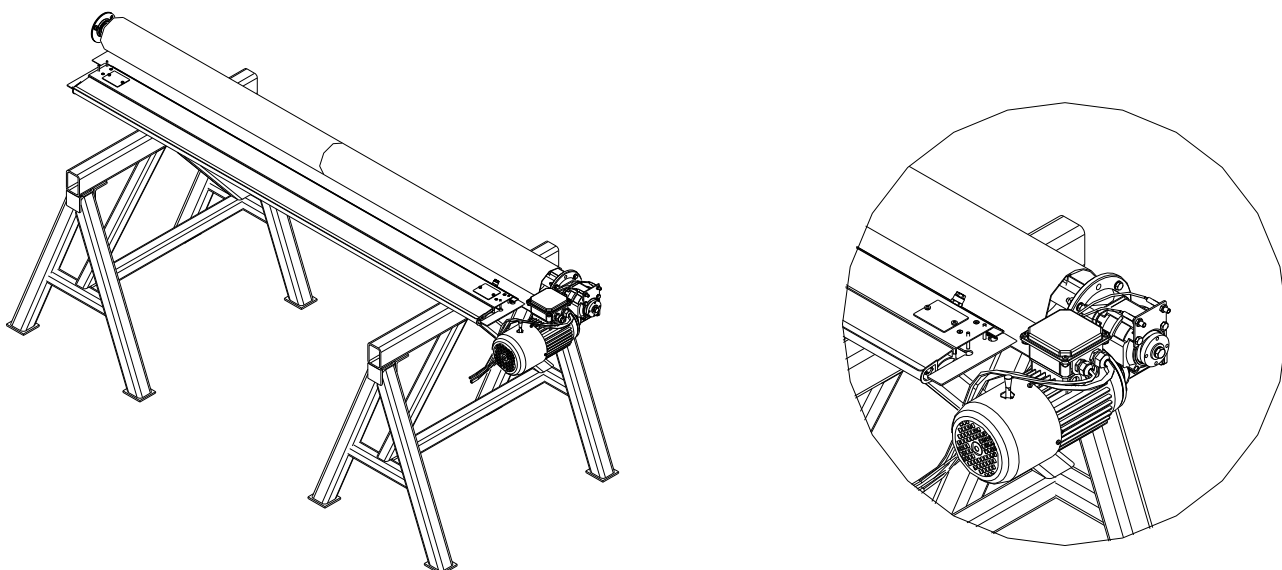
Mounting of counterframe (option)



Before the final fastening of the counterframe, it has to be checked that the counterframe is in level both horizontal and vertical.

The counter frame is prepared with mounting holes and underlying mounting connectors where the counterframe has to be fastened. Drill holes through the mounting holes and fasten the counterframe with the supplied fasteners.

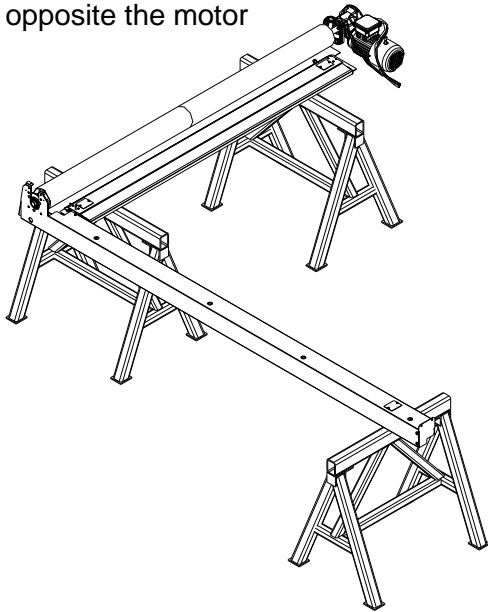
Mounting of frame leg on roll



The roll with attached motor is placed in a way that both ends are free for mounting.

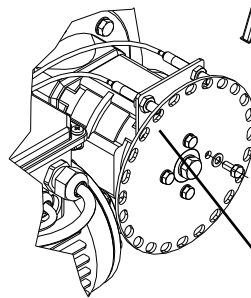
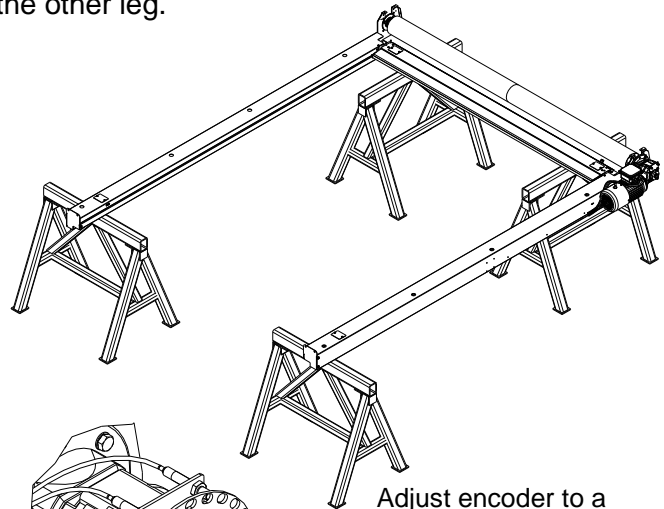
On DS291, DS301, DS306, and DS320P, the roller is mounted on the rear part of the frame leg, after which the gate is raised. The outer part of the frame leg is secured last, as described at page 8.

Leg opposite the motor

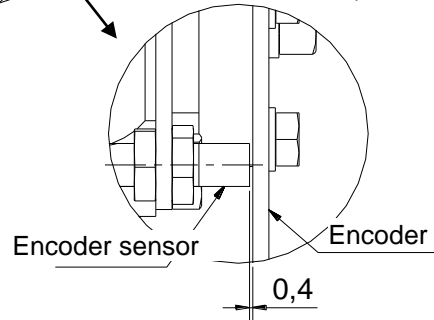


Frame leg is fastened on the internal side of the bearing, as close to the roll as possible.

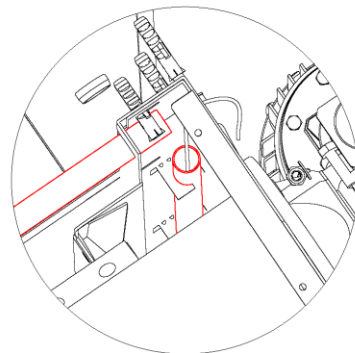
Leg at the motor side fastened the same way as the other leg.



Adjust encoder to a distance of 0,4 mm between the encoder sensor and encoder (enclosed 0,4 mm steel can be used).



The supplied photocells are pulled from the motor side through a hole in the frame leg (in front of the motor) in plastic tubes down in each frame leg. The supplied plastic tube is placed between the frame legs and the photocell with the longest wire is pulled through and down in the frame leg furthest away from the motor.

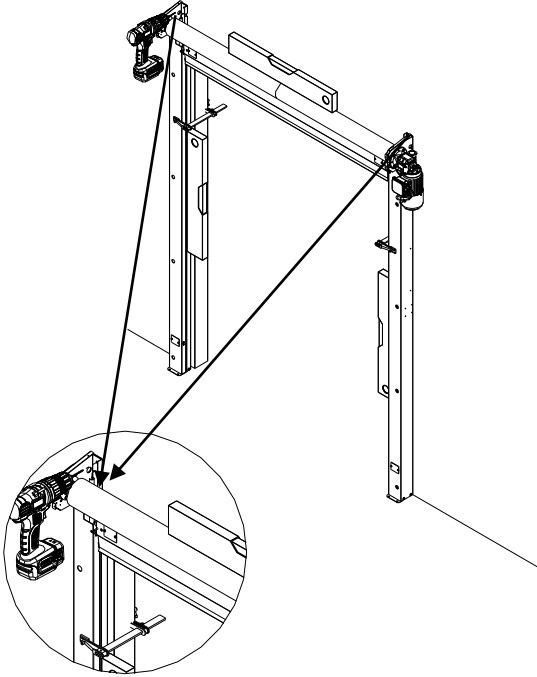


Lift up the door either by truck or manually.
By manually lift of the door min. 2 men are required.

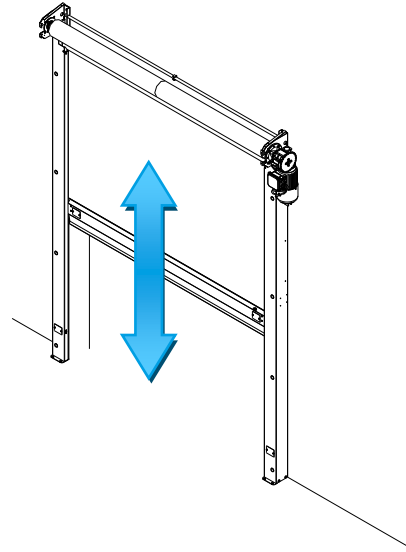
If the lift can be done manually or a truck is necessary depends on the size and the weight of the door.

Mounting and adjustment

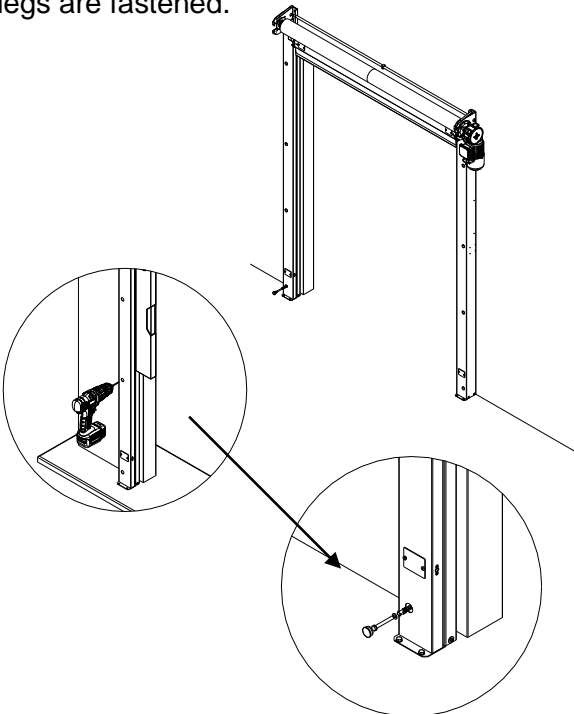
1. The door is held up against the wall opening and the frame legs are fastened against the wall with clamps. The door is fastened in the top left and right corner. The roll must be level.



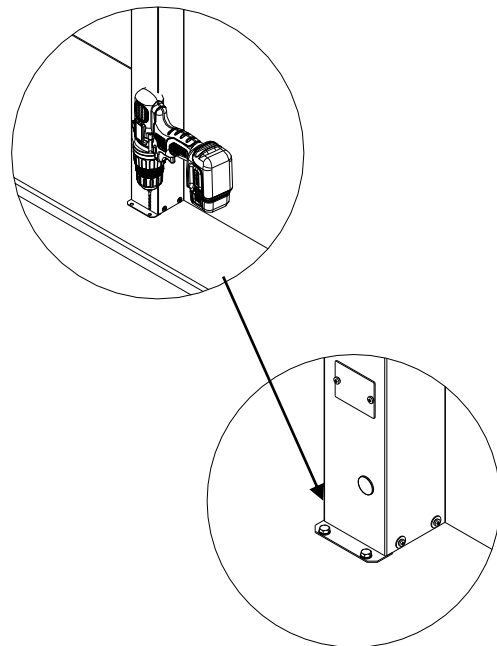
2. Possible lifting gear are removed and the blade are pushed into the sliding rail in the legs. The frame legs are adjusted to the door blade by moving it up and down. The door is moved up/down manually by using the delivered allen key or a power drill with a long allen bit for drill.



3. When the door blade is running smoothly, the legs are fastened.

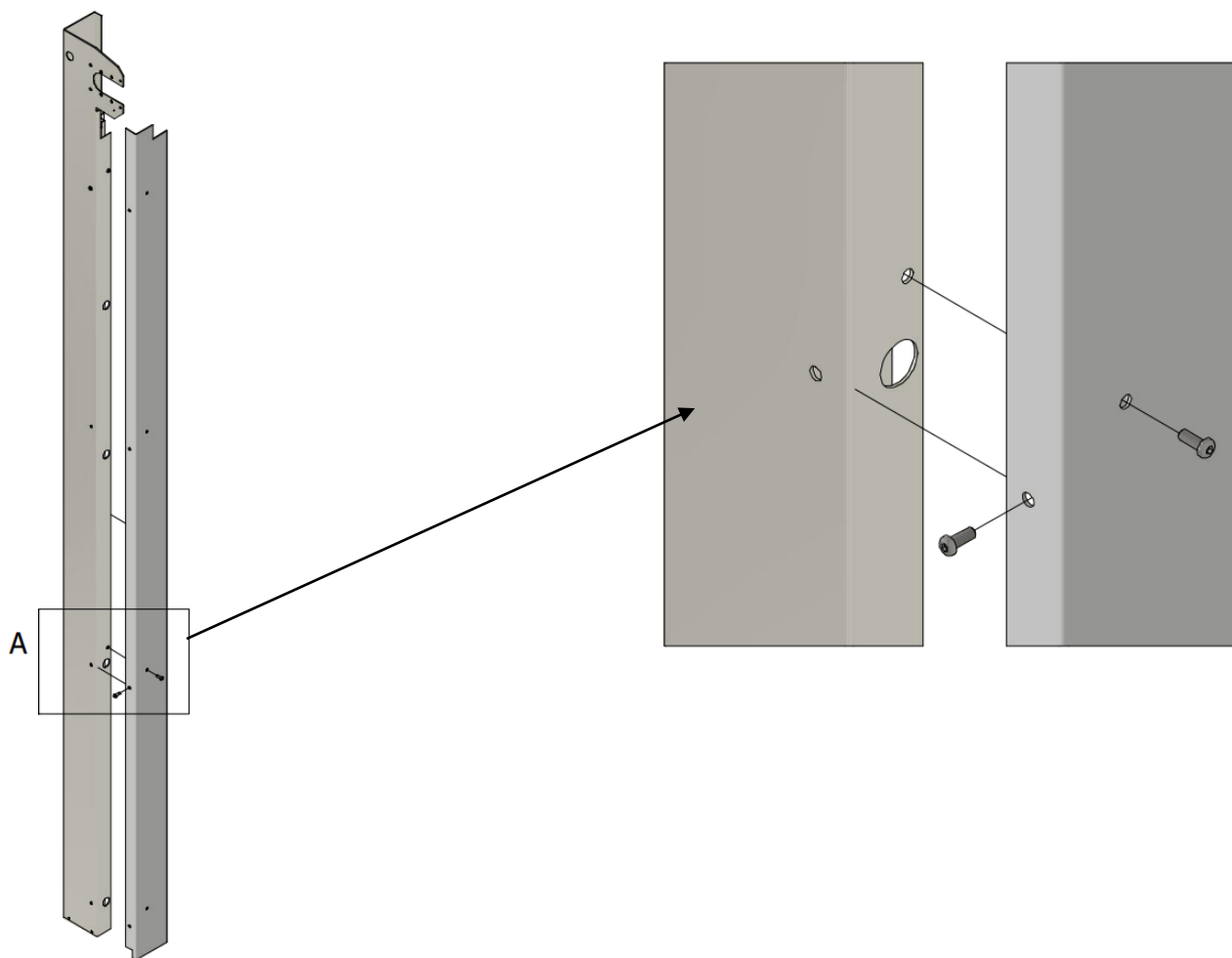


4. The legs are fastened into the floor.



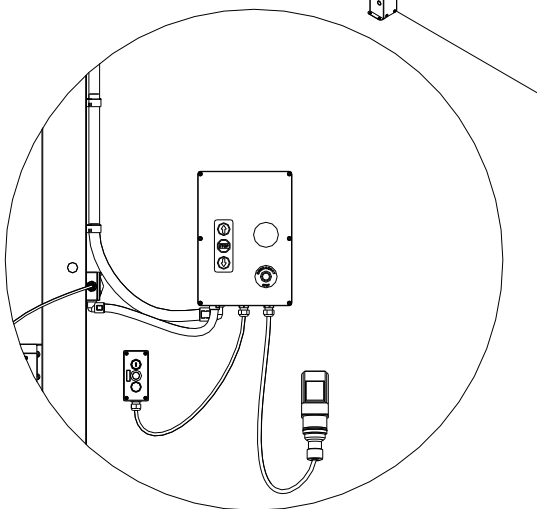
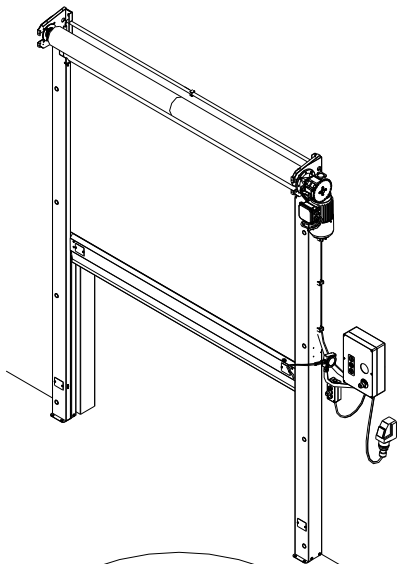
For DS291, DS301, DS306, and DS320P, the frame leg is divided into two parts. The inner part of the frame leg is attached to the wall along with the gate, after which the outer part of the frame leg is secured last using the supplied fasteners.

The DS320P is customized according to the customer's wishes. For DS291, DS301, and DS306, the assembly of the frame legs will be done as shown in the drawing below.

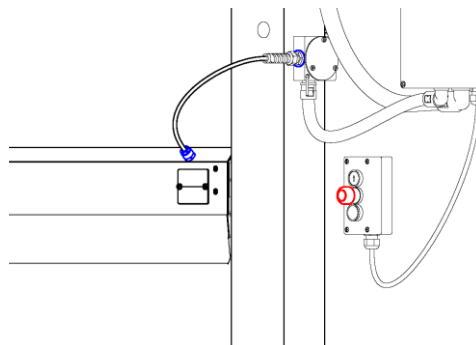


Final mounting

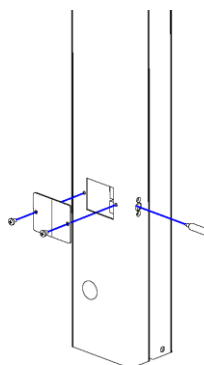
Install the control on the wall and connect the cables.
The instructions in the Door control document are followed.



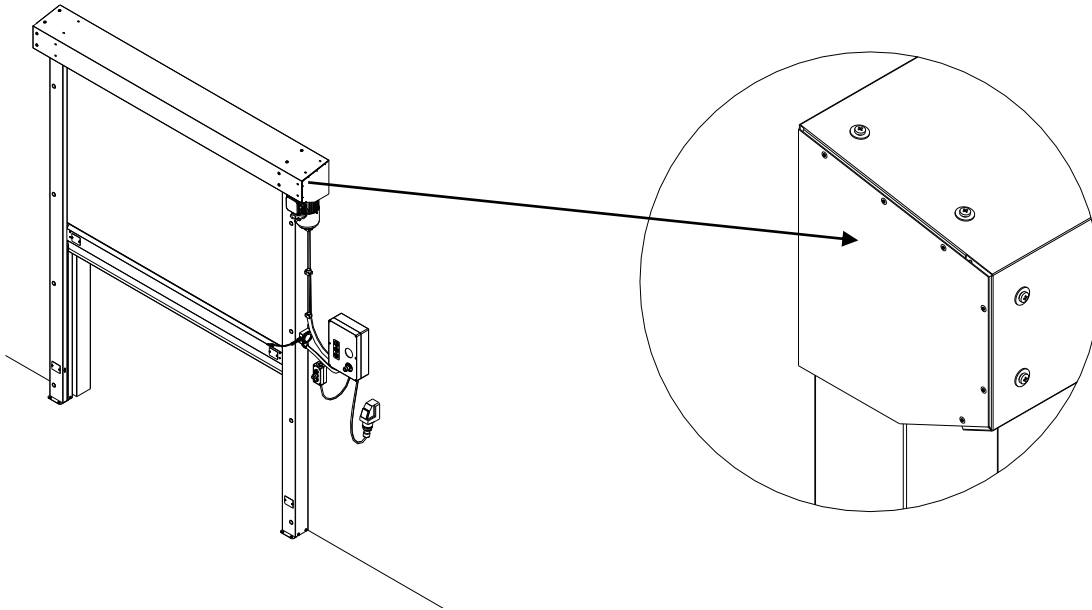
The junction box for the spiral cable is fastened to the frame leg in the prepared holes and the cables are connected to the control box.



The photocells are brought down in each frame leg and fastened in the prepared connectors.



Shielding and cover profiles are mounted.



For wiring, setup, and connection, refer to the document "*Door Control.*"

Cleaning after mounting

- Make sure that the framelegs and doors are clean of concrete and toher debris.
- Then make sure that the door opens smoothly relative to its size and does not start to jam.
- Any foil on the frames and shielding is removed.
- All mouting holes are sealed with the supplied plugs.
- All packaging is removed.

Documentation

Make sure the door sign is attached to the door.

The following documents have been prepared for the door:

- EU Declaration of Conformity
- Operations and maintenance manual
- Door control document