

MOUNTING INSTRUCTION FOR ROLLER DOORS

MODEL

DS800

DS850

DS855

Content

The instruction covers	3
Content of delivery.....	3
Type of wall/fastening.....	3
Mounting.....	4
Tools for mounting.....	4
Before mounting	4
Mounting of counterframe (option)	5
Mounting of frame leg on roll	6
Mounting.....	7
Mounting of the spring	9
Mounting of door in freezer.....	10
Final mounting of the door	11
Documentation	12

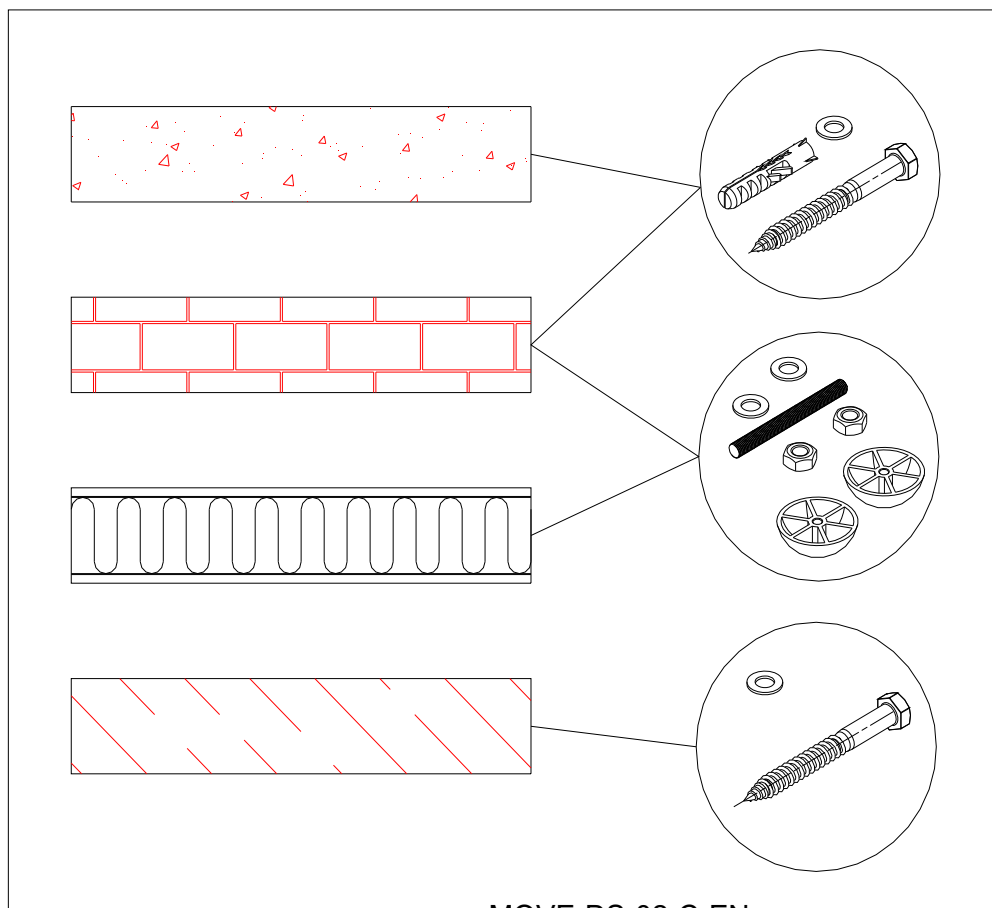
The instruction covers

This instruction covers all variations of the models stated on the front page.

Content of delivery

Description	Comment
Counter frame, 3 or 4 frameparts incl. connectors	Option
Door leaf (fabric)	
Right and left frameleg	
Top frame and roller with curtain and motor	
Spring and covers	
Control and push buttons	
Necessary bolts, washers, nuts, screws and plugs for installation	

Type of wall/fastening



Mounting

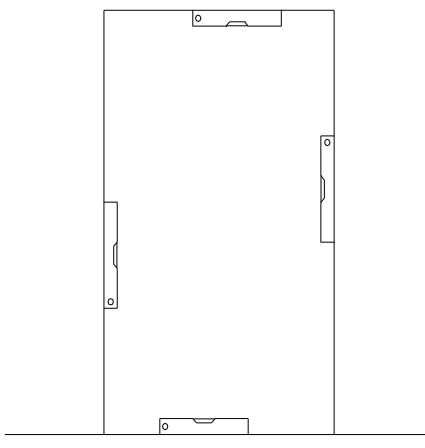
Tools for mounting

Wedges/chocks
Spirit level
Power drill/screwdriver/riveter
E.g. adhesive
Truck or other lifting gear

Before mounting

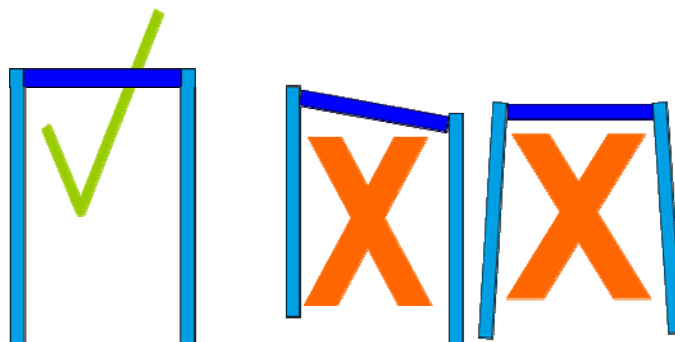
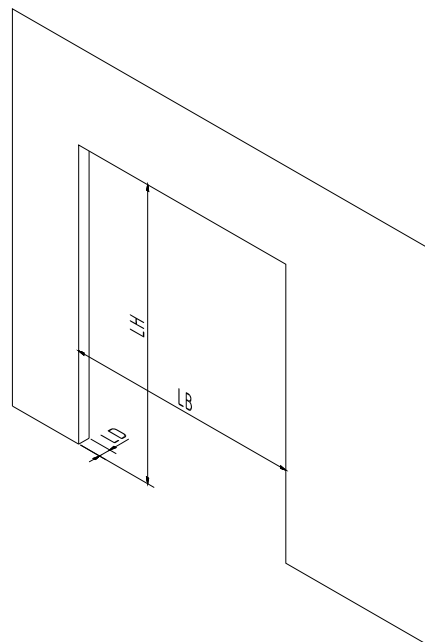
Make sure the wall opening is level and perpendicular and in accordance with the order confirmation.

The wall shall be able to carry the door.
If this is not the case, the wall shall be reinforced or a selfcarring frame must be installed.

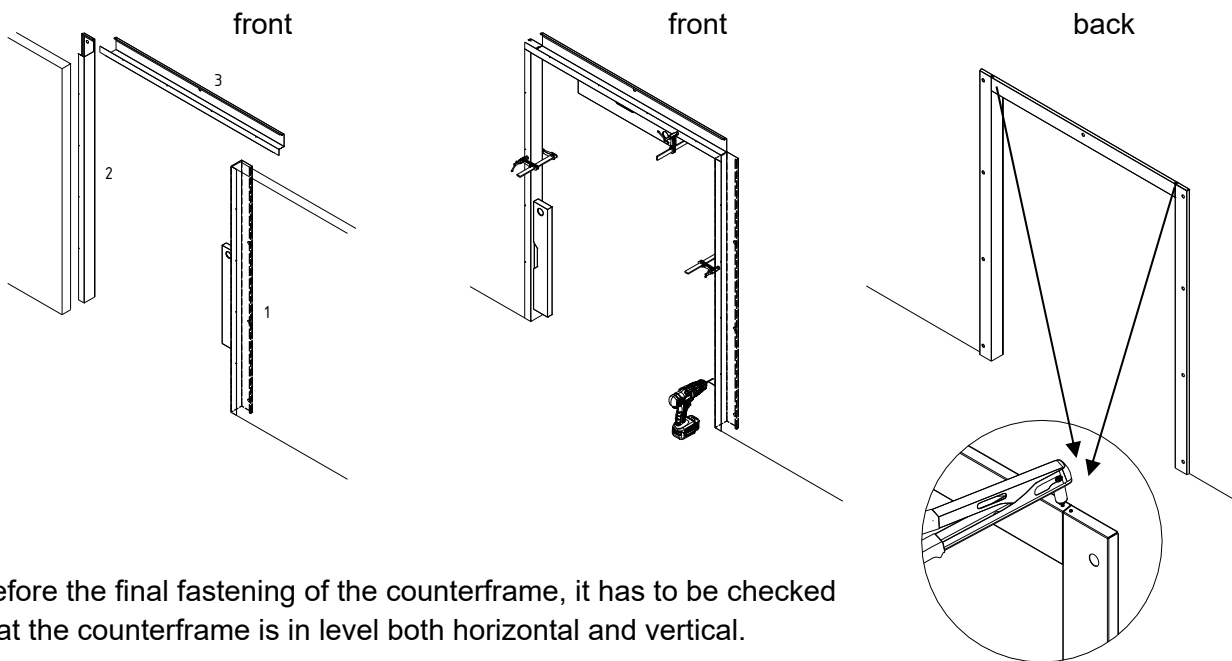


Kontroller om gulv og hul er i vater.
Control if floor and hole is in level.

Kontroller mål på murhulsåbning.
Control measurement of wall opening.



Mounting of counterframe (option)



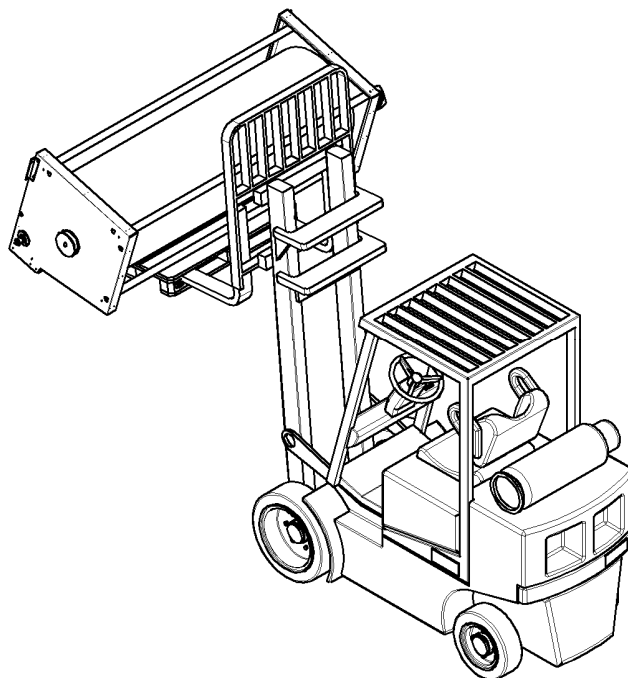
Before the final fastening of the counterframe, it has to be checked that the counterframe is in level both horizontal and vertical.

The counter frame is prepared with mounting holes and underlying mounting connectors where the counterframe has to be fastened. Drill holes through the mounting holes and fasten the counterframe with the supplied fasteners.

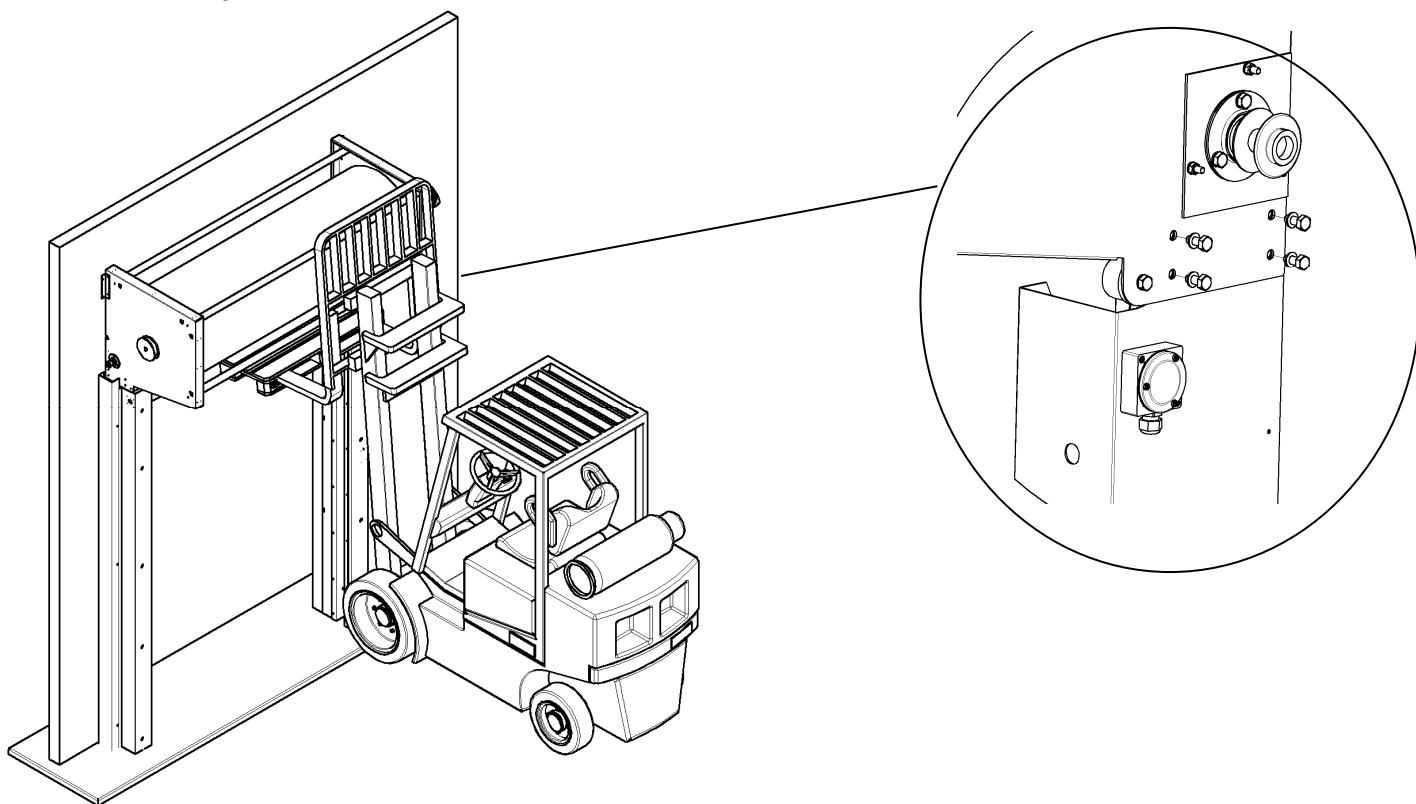
Mounting of frame leg on roll

The cover on the roll is removed.

The Roll is placed on a pallet and lifted with Truck or other lifting equipment (remember to fasten the roll).

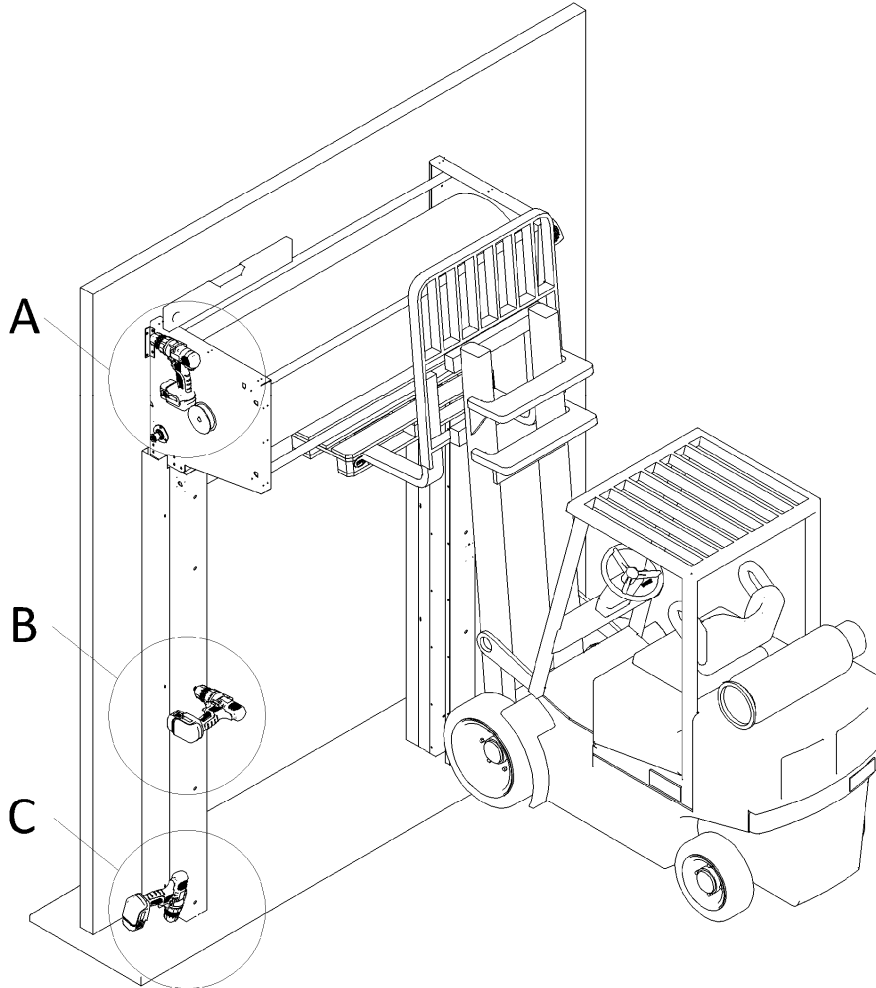


The roll is lifted up against the wall above the wall opening. The frame legs are fastened to the roll with the delivered M10 bolts – 4 in each side.

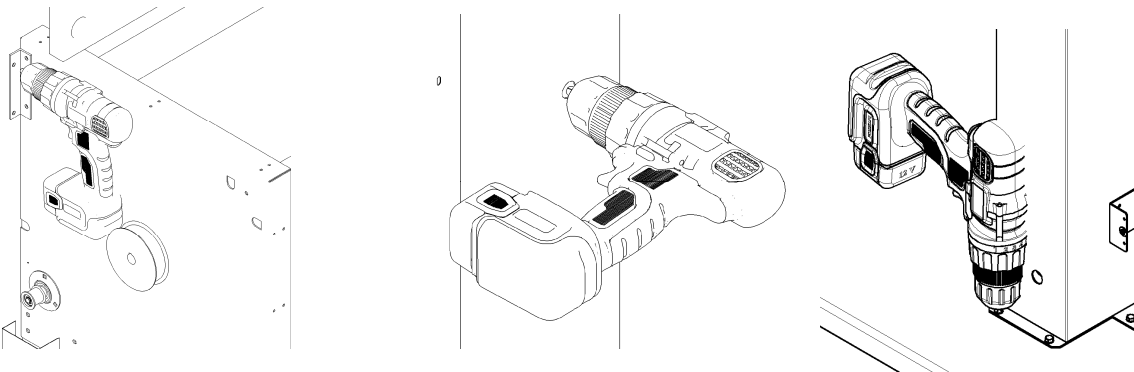


Mounting

The door is lowered until the framelegs reaches the floor. Make sure the roll is in level and centered above the wall opening, if needed the frame legs are jacked up. The roll is fastened to the wall with the delivered fasteners.

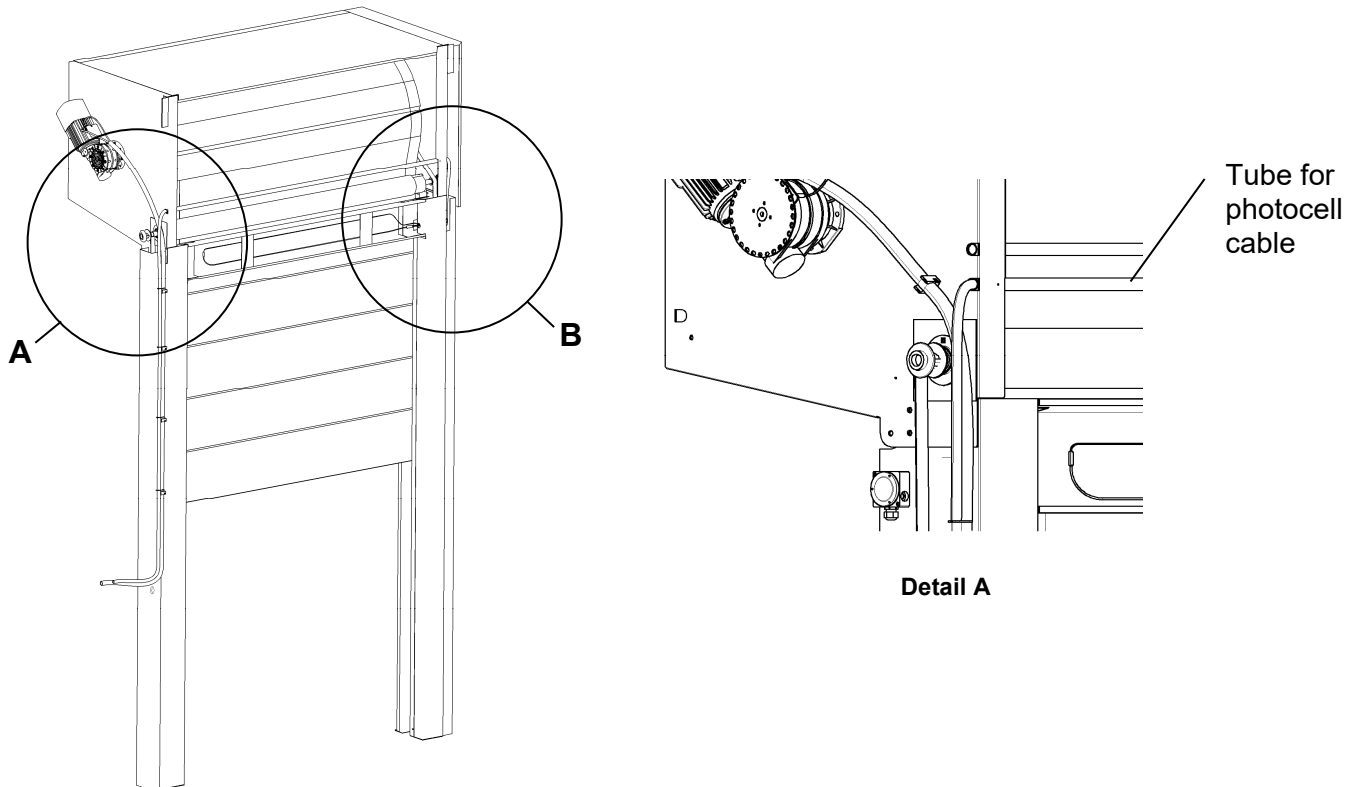


Make sure the frame legs are in level before fastening them to the wall and floor. The frame legs are fastened the the prepared holes with the delivered fasteners.

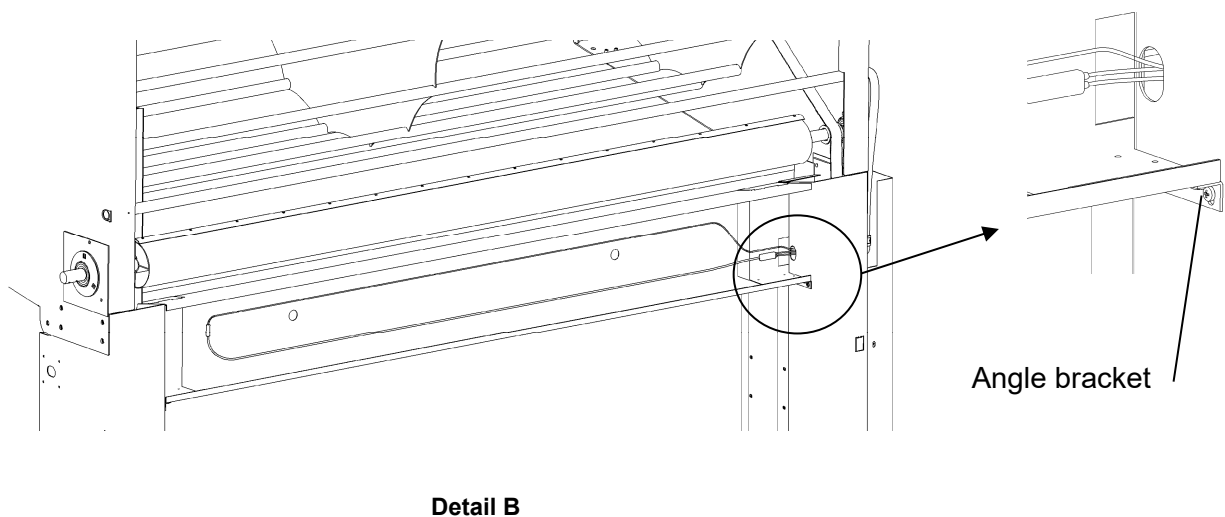


After fastening to the wall the truck can be removed. Make sure the fabric is placed in the guide in the frame leg.

The photocells are installed in the frame legs. The cables from the photocells in the frame legs opposite the motor side are pulled in the steel tube behind the roll. When the control is placed beneath the motor (standard position), the cables from the photocells closest to the motor are installed in the frame leg and are pulled through a hole in the frame leg. The cables from the photocells are installed in the control as described in the manual "Door control".

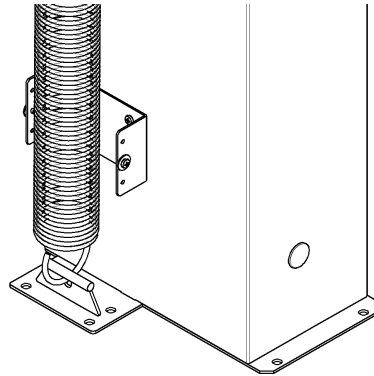


The top frame is placed between the frame legs beneath the roll. The heating cables are pulled through the frame leg and into the connectorbox on the frame leg. The top frame is fastened to the frame legs with the delivered angle brackets and to the wall with the delivered fasteners.

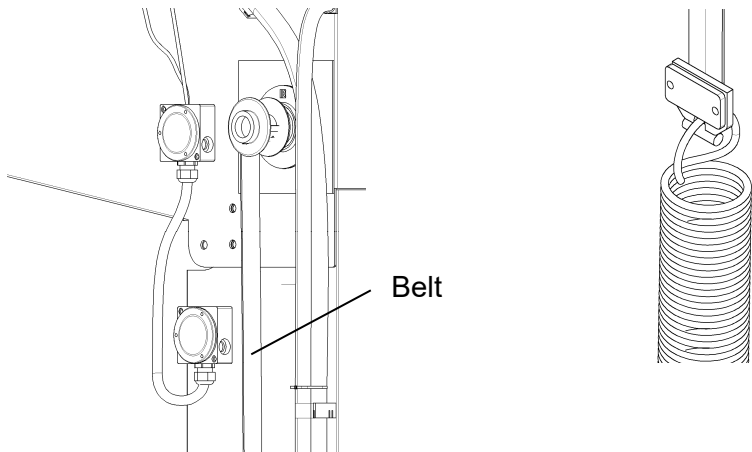


Mounting of the spring

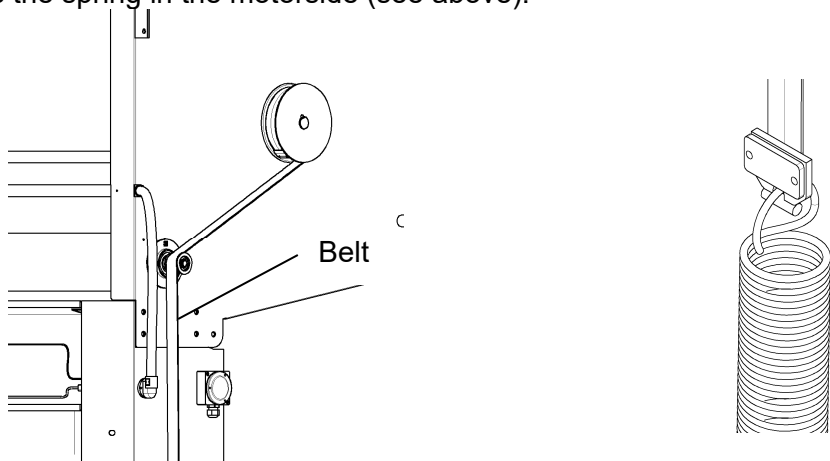
In the motor side along the frame leg, a spring to tighten the curtain is mounted. The door shall be closed which means the curtain shall rest on the floor. The spring is mounted in the connector on the frame leg at the floor.



The top of the spring is mounted to a connector on the belt (the belt is fastened on the axel of the roll). By adjusting the placement of the connector on the belt the spring is prestressed 50 mm.



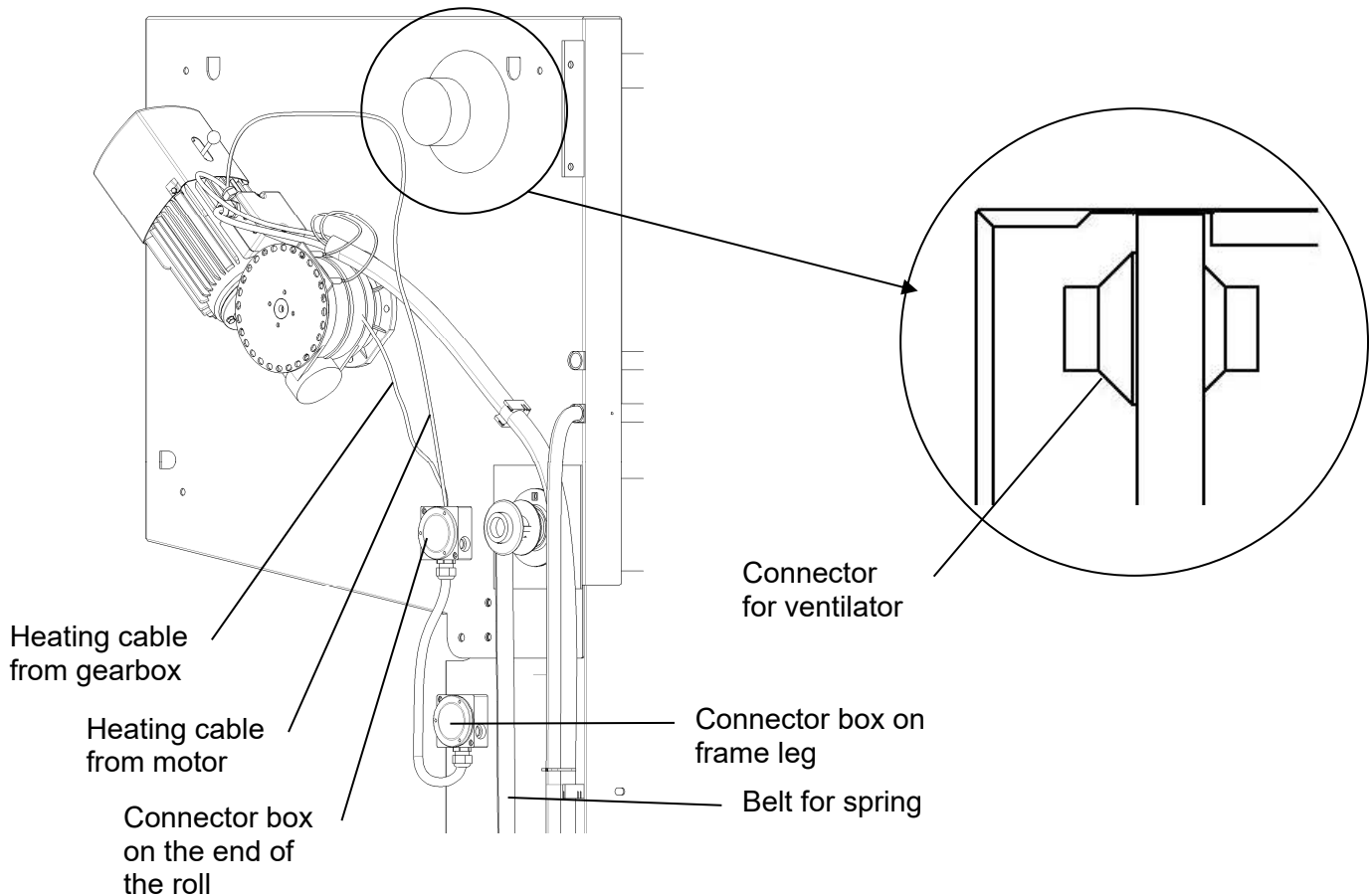
At wide doors a spring along the frameleg opposite the motor side is also mounted. Before mounting the spring the curtain should be in the top, the door is now fully open. The spring is mounted the same way as the spring in the motorside (see above).



Mounting of door in freezer

When a door is mounted in freezer rooms (on the cold side) the motor and gearbox are installed with heating cables. The heating cable from the gearbox is installed in the connector box on the end of the roll. The heating cable from the motor is adjusted and also connected to the connector box on the end of the roll. The heating cables are pulled from the connector box on the end of the roll to the connector box on the frameleg.

In freezer rooms the door shall also be mounted with a ventilator on the cover of the roll. The ventilator is placed in the connector on top of the cover and fastened with the delivered screws.

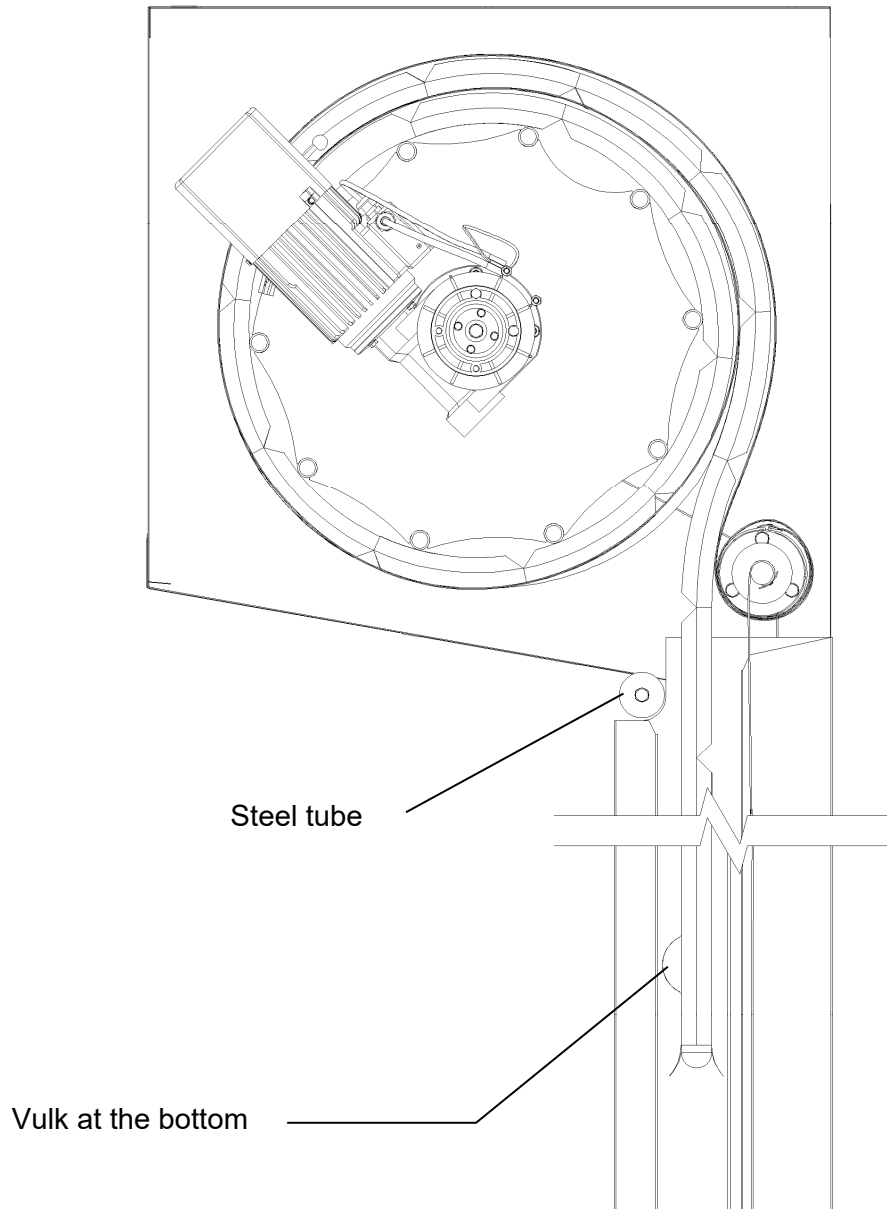


Final mounting of the door

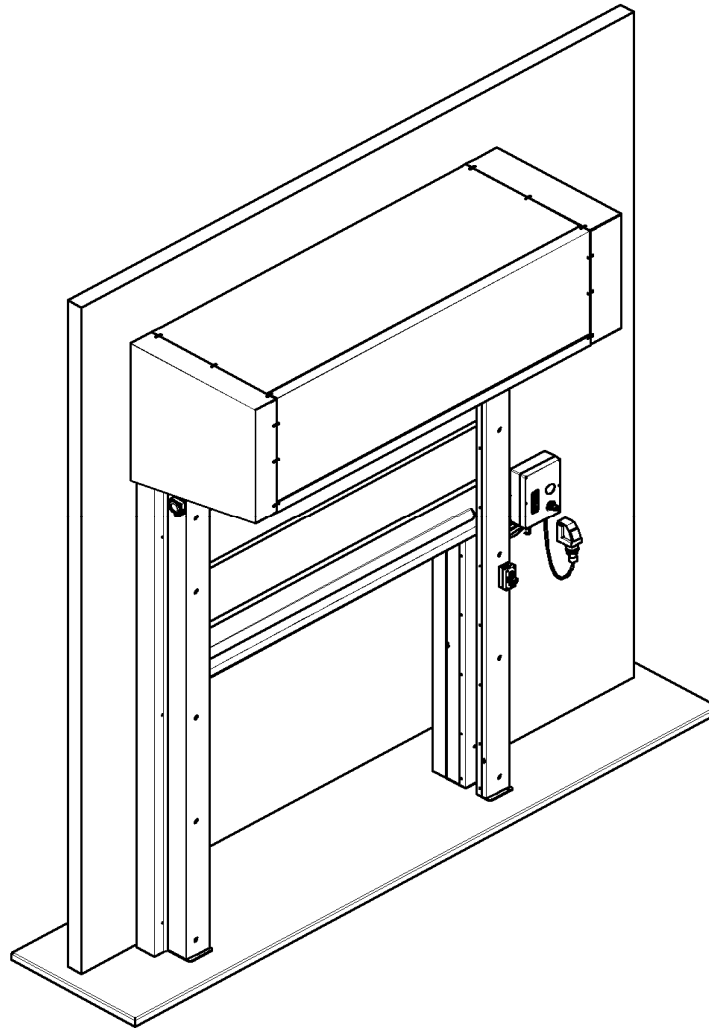
Install the control on the wall and connect the cables. All power supply (motor/controlbox, heating cable and ventilator) should be 230V. The heating cable must not be connected before the freezer is in operation, as the heating cable may become disconnected.

The instructions in the document "Door control" are followed. Be aware that the vulk at the bottom of the curtain has to fit tightly against the steel tube when the door is open.

The vulk at the top should fit tightly against the steel tube in closed position.



Covers for the spring and roll are mounted.



Documentation

Make sure the door sign is attached to the door.

Make sure the following documents are received:

- EU Declaration of Conformity
- Operations and maintenance manual
- Door control document

Maintenance and service

Upon purchase of the door, an operation and maintenance manual is delivered. Read this carefully before using the door.

There is a legal requirement for a service inspection of automatic doors by an installer min. once a year.