

Our high-speed, low-noise roller doors are specially designed for supermarkets, warehouses, processing rooms and freezer rooms. They are custom-made to meet our customers' specific needs and requirements on speed, hygiene, wind stability, cold impact, insulation etc. The doors come with our unique collision protection, which makes it a quick and easy job to get a door back in operation after a collision. We have collected relevant data below on our roller doors.

Door types and selection of door

All doors are made according to the customer's request, however at max. size according to the following:

- DS260 – aluminum door for internal use (changes are limited), max. size 3000x3000 mm
- DS291-DS301 – primarily for external use, max. size 4000x3400 mm, however max. 10 m²
- DS290-DS305 – primarily for internal use, max. size 4000x5000 mm, however max. 14 m²
- DS306 – primarily for external use, max. size 4000x5000 mm, however max. 14 m²
- DS320P – for interior use, suitable for pharma / clean room, max. size 4000x4000 mm
- DS350-DS375 – for external use, robust door, max. size 5000x5000 mm, however max. 16 m²
- DS700 – for external use, high wind-load, max. size 7000x6000 mm, however max. 20 m²
- DS800+DS850 – can be used for cold store and freezer rooms on both warm and cold side, made in max. size 4000x5000 mm.

Fabric

2 mm reinforced fabric, available in the following colors:

- Grey (dark)
- Grey (light)
- Blue
- Orange
- Yellow
- Red

- White
- Grey (lys)
- Blue
- Green

The fabric can be used at temperatures from -10°C to 70°C (not for freezer rooms).

Not available with vision window.

0.8 mm industrial fabric (can only be used in DS290) is available in the following colors:

- Grey
- Blue

The fabric is available in a max width of 2.5-3.0 m (depending on the color).

Both reinforced and industrial fabric are available with print.

Vision window can be inserted vertically / horizontally in both armored fabric and industrial fabric.

3 mm insulated fabric, available in the following colors:

At the DS800, DS850 and DS855, the fabrics are welded together so that cells with insulating material occur, the total thickness of the insulated fabric is 43 mm. Insulated fabric is standard available in blue. Insulated fabric is not made with windows.

In addition, special fabrics such as antistatic fabric.

U-values for the different fabric types are:

2 mm reinforced fabric: 70.6 W/m²K – 3 mm insulated fabric: 4.0 W/m²K – 43 mm thermo fabric: 0.54 W/m²K

Note! The U-value only applies to the fabric itself, not to the entire door.

Frames and coverings

DS260 is made with aluminum frames and white food-safe topcover.

The DS290-DS306 is manufactured as standard in galvanized steel. Available in stainless steel. Covering on DS305 and DS306 is manufactured in stainless steel

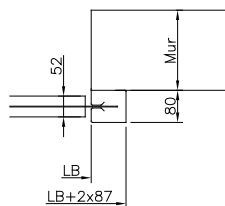
The DS320-DS855 is manufactured as a standard in stainless steel.

At full covering and high/wide gates, frames and covering are always in stainless steel.

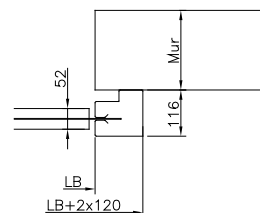
The DS290-DS855 can be made with stainless steel (AISI 316).

Below the different frame types are shown:

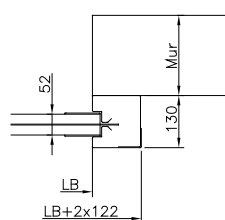
DS260



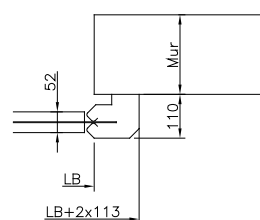
DS280
DS290
DS300
DS305



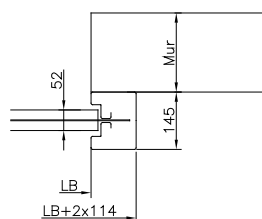
DS291
DS301
DS306



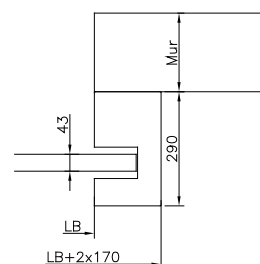
DS350
DS375



DS700



DS800
DS850
DS855



Bottom bar

Bottom bar at DS290-DS700 is always made in stainless steel.

Bottom bar at DS260 is always made in aluminum.

The DS800-DS855 comes without bottom bar.

Standard accessories

2 pcs. push buttons with emergency stop

Photocells in the frame leg

Photocells/DW switch in barrier

Electrical connection

230V, 16 Amp, HPFI relay 0,3 Amp

Accessories

- Pull switch
- Radar
- Radio control
- Photocell control
- Bluetooth
- Induction
- Bluetooth
- Battery backup

	DS	260	290-300-305	291-301-306	320	350-375	700	800-850-855
Interior use		X	X	X	X	X	X	X
Exterior use				X		X	X	X
Cold store			X	X		X		X
Freezer rooms			300: X 305: X			X		X
Frame legs	Aluminum	X						
	Galvanized		X	X				X
	Stainless (304)		X	X	X	X	X	X
	Stainless acid resistant (316)		X	X	X	X	X	X
Bottom bar	None							X
	Aluminum	X						
	Stainless (304)		X	X	X	X	X	
	Stainless acid resistant (316)		X	X	X	X	X	
Hygiene-requirements	Minor	X						
	Large		X	X		X	X	X
	Pharma/clean room				X			
Fabric	Industrial		290: X					
	Reinforced	X	X	X	X	X	X	
	Window	X	X	X	X	X	X	
	Insulated fabric ^{1,2,3}		X	X	X	X		
	Thermo fabric ¹							X
Maximum size	Width [m] ³	3	290: 2 300: 4 305: 4	291: 2 301: 4 306: 4	4	350: 3.5 375: 5	7	800: 4 850: 4 855: 4
	Height [m] ²	3	290: 3 300: 3.4 305: 5	291: 3 301: 3.4 306: 5	4	350: 3.5 375: 5	6	800: 3.3 850: 5 855: 5
	Area [m ²]		290: 5 300: 10 305: 14	291: 5 301: 10 306: 14		350: 10 375: 16	20	800: 9.5 850: 12 855: 16
Pressure influence/wind load				15 Pa	10 m/s	18 m/s		
Collision safety		X	X	X	X	X	X	
Special sealing (bottom)				X				
Opening speed	max		2 m/s	2 m/s	2 m/s	2 m/s	2 m/s	2 m/s
Safety	Photocells in the frame leg	X	X	X	X	X	X	X
	Narrow beam radar				X			
	Light / photocells in the frame leg			X				
	Photocell / DW connector in the bar	X	X	X	X	X	X	

¹ Not available with vision window.

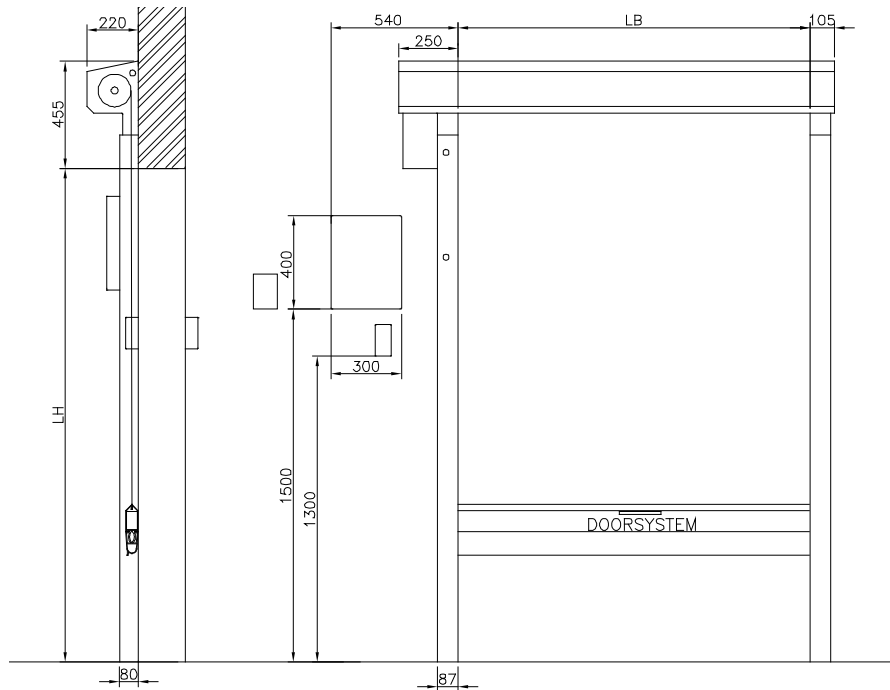
² Max height with insulated fabric: DS290-291-300-301-350 = 2.8 m - DS305-306-375 = 3.5 m (for internal use only). In case of pressure/wind load, however a maximum height of 2.5 m.

³ Max width with insulated fabric: 2.2 m.

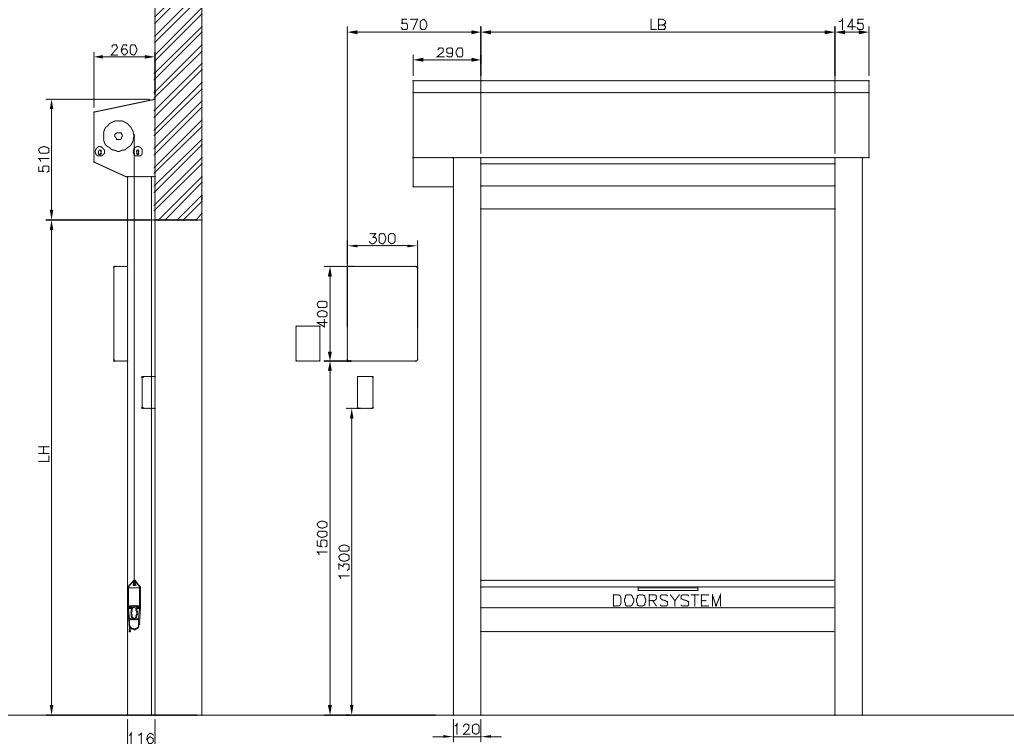
Space requirements at wall opening

Below is the standard min. space requirements, this may vary depending on conditions or by special design of the door.

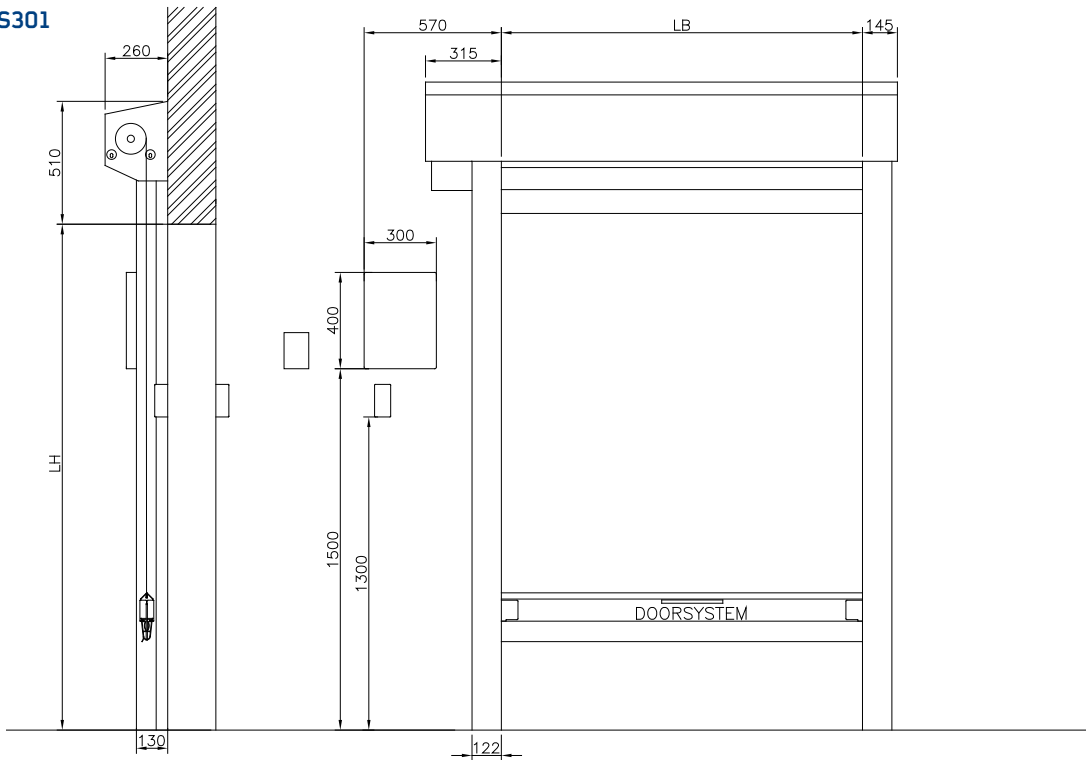
DS260



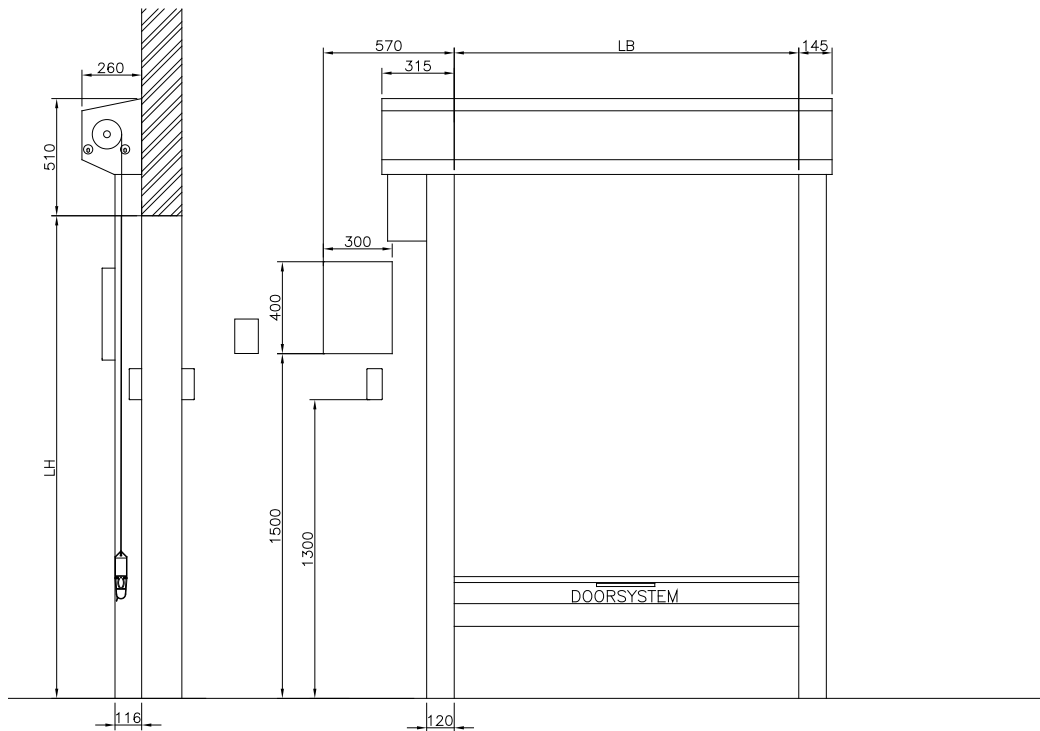
DS290



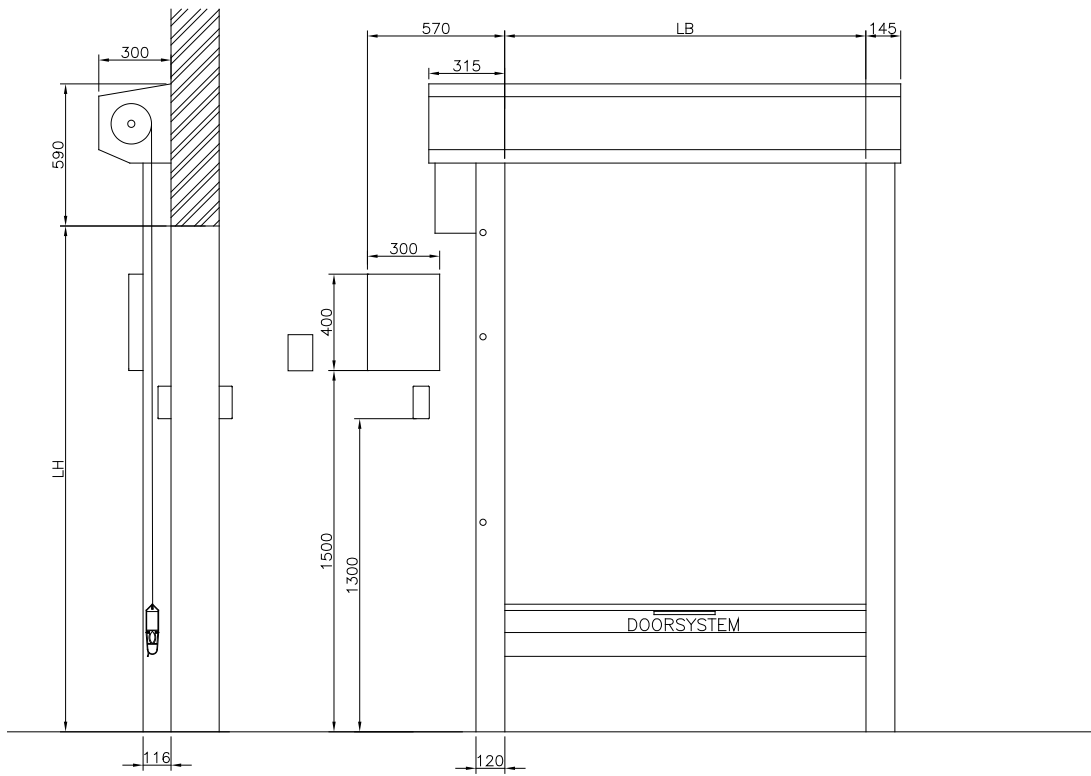
DS291-DS301



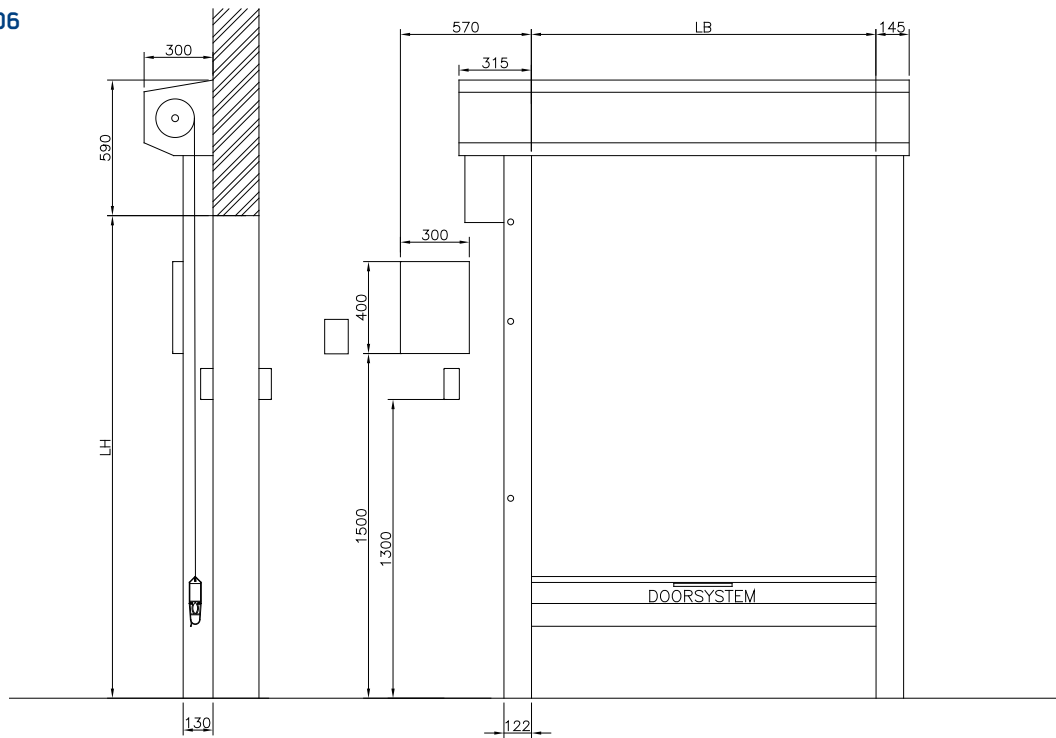
DS300



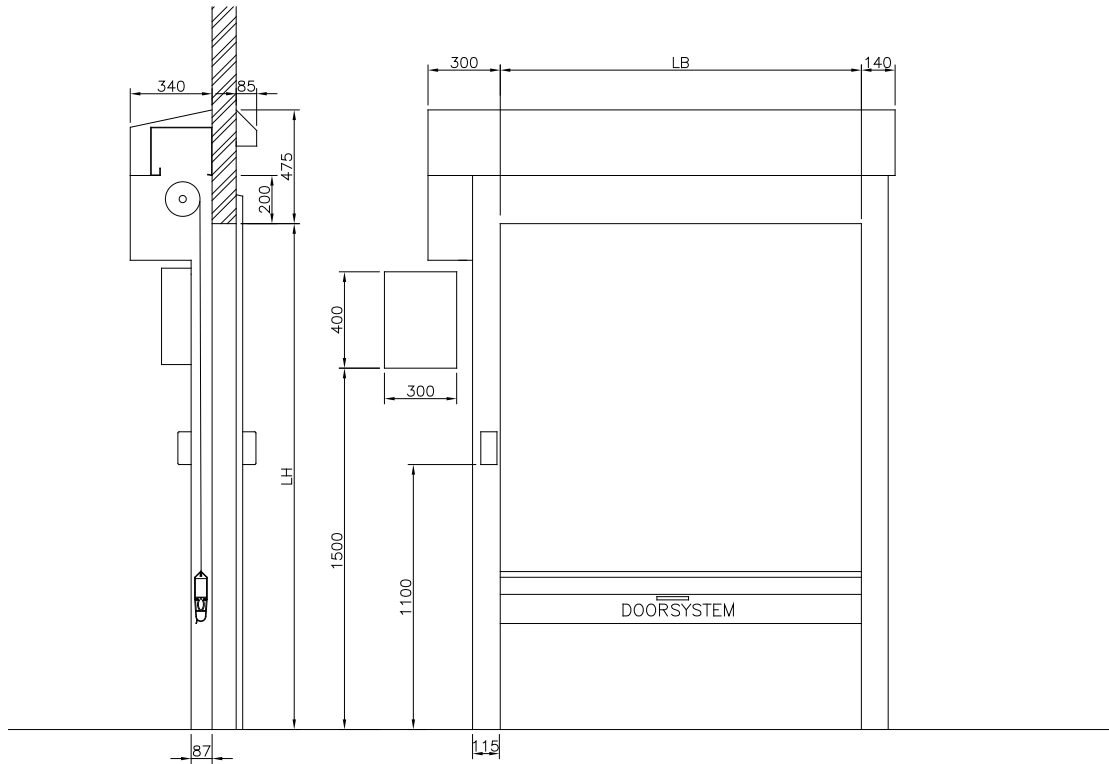
DS305



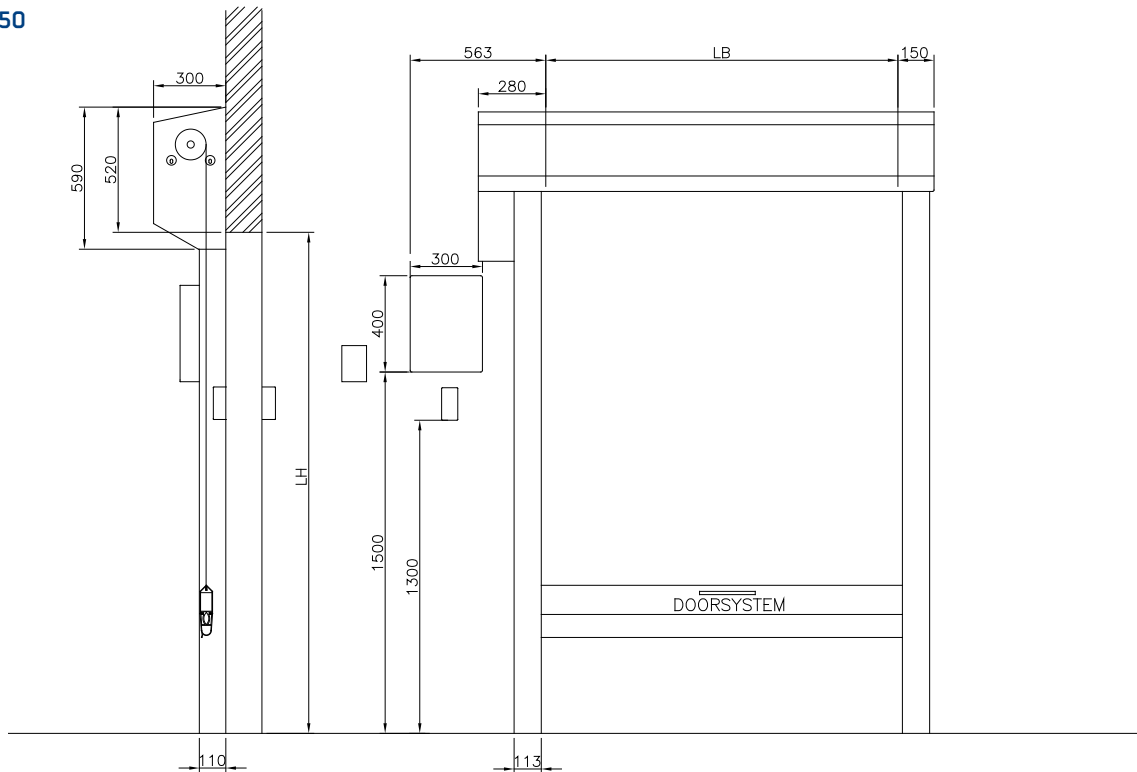
DS306



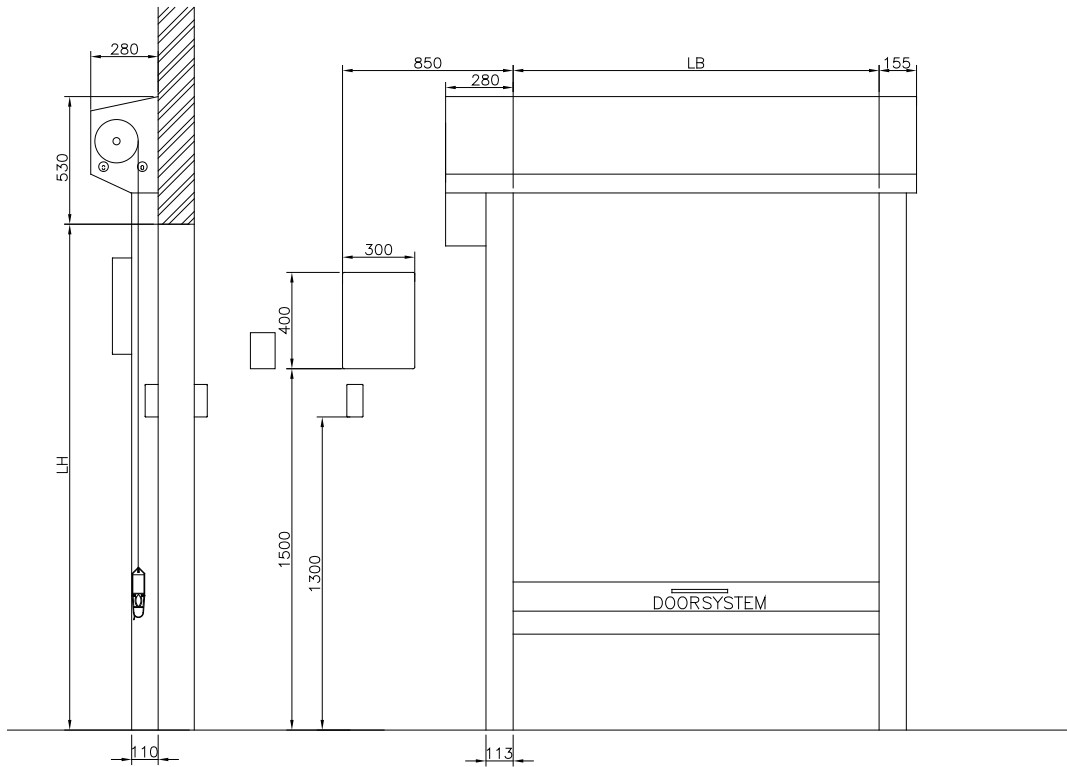
DS320



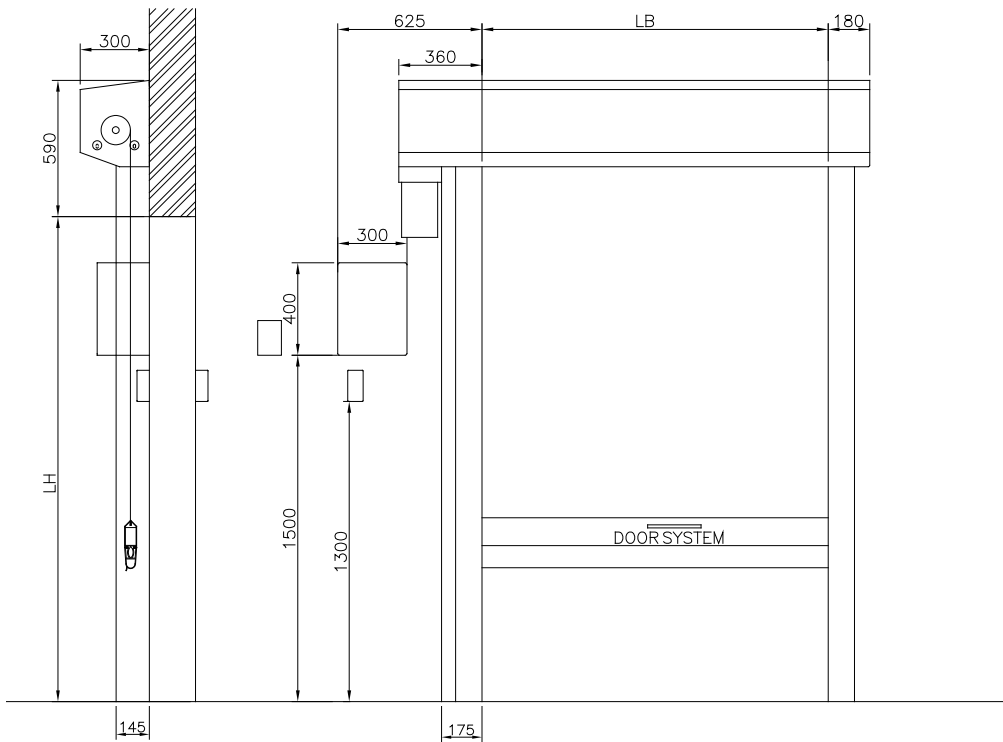
DS350



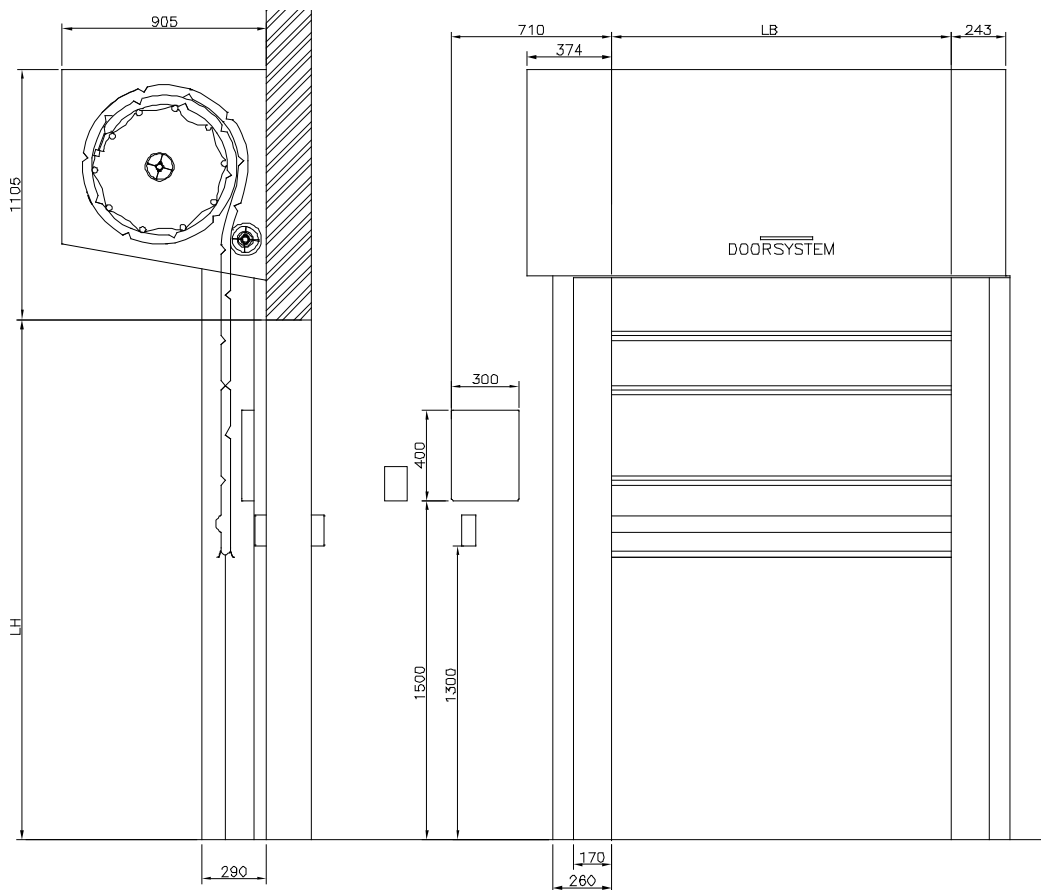
DS375



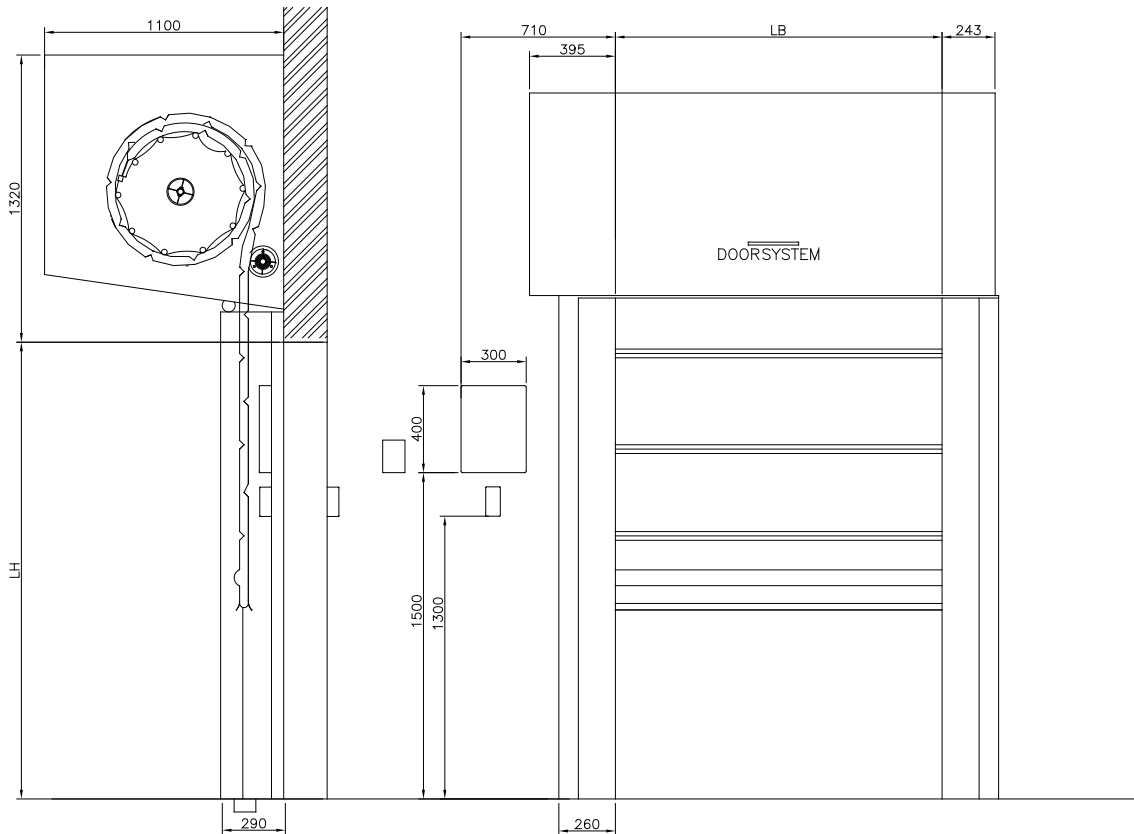
DS700



DS800



DS850



If you need further information or want a specific offer, please contact us by phone +45 86 92 11 71 or send an e-mail to info@doorsystem.dk.