

## Fibershield®-E

The economical textile fire protection closure with the highest level of standardisation

### Product Description

textile fire protection curtain

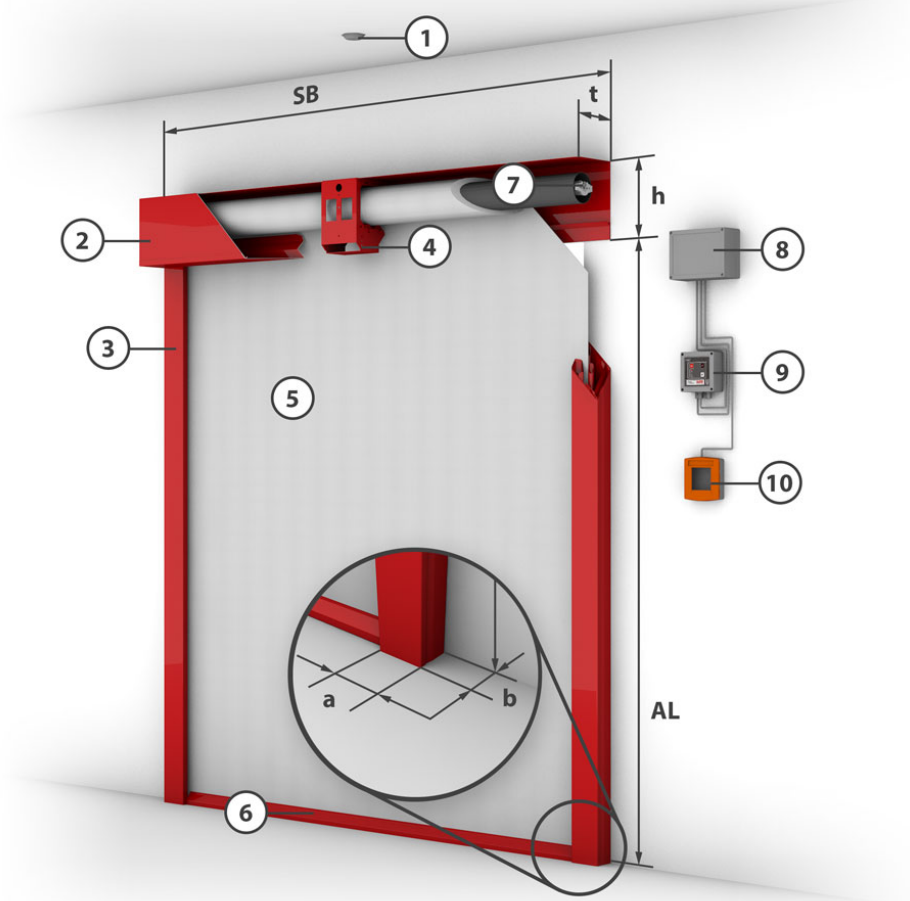
High standardization and thus economic partitioning system up to maximum widths of 6m and a roll-off length of up to 8m, or a width of up to 7m and a roll-off length of up to 5m as standard with "Gravigen" drive system, i. Close without external energy, no fire-resistant cables necessary High number of cycles of the motors of 10,000 cycles Various protection goals achievable through different types of fabric Large fire curtain systems at least class C 1 according to DIN EN 13501-2 Knob guidance Optional safety contact strip Optional spring-loaded bottom bar.

<b>construction type</b>	textile fire protection curtain	<b>closing direction</b>	from top to bottom
<b>executable protection target</b>	EI - with fire load free zone • EI - with sprinklers	<b>proof</b>	UB III/B-06-005 • 3102/717/07 • UB 3.1/09-021 • UB III/B-08-012 • UB III/B-08-016
<b>Fire resistant</b>	E 30 • E 60 • E 90 • EW 30 • EW 60 • Classified in compliance with DIN EN 13501-2	<b>closing cycle</b>	C2 number of closing cycles 10.000
<b>fabric</b>	Heliotex • Ecotex 1100 A2		
<b>fire load free zone</b>	Heliotex: EI 30/60/90min 20/30/50 cm • Protex/Ecotex: EI 30/60/90min 100/150/200 cm		

## Constructive structure (system drawing)

Classification	Fabric	System width (SB)	Unrolled length (AL)	t	h
E 90 / EW 30	Ecotex 1100	≥ 1,1 m - ≤ 3 m	≤ 3 m	200 mm	220 mm
EW 90	Heliotex EW	≥ 1,1 m - ≤ 3 m	≤ 3 m	200 mm	220 mm

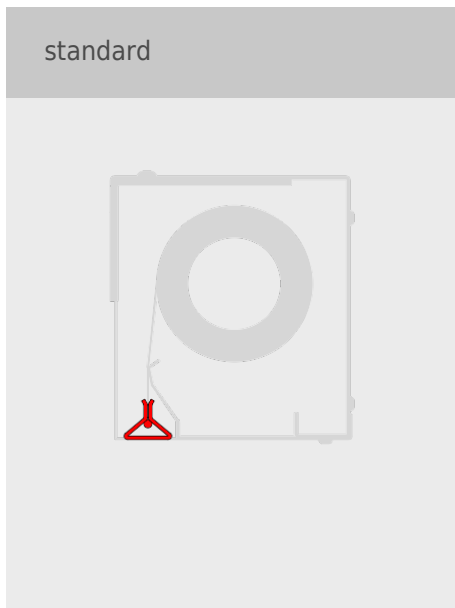
(Special sizes on request - technically feasible up to a width of 7m (Ecotex 1100) or 6m (Heliotex))



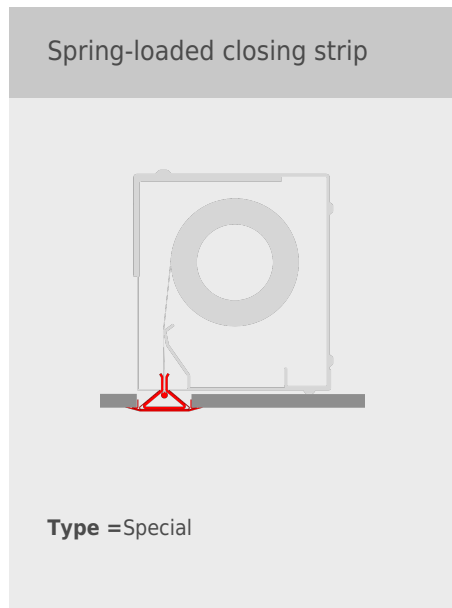
- 1** = Smoke detector    **2** = Casing    **3** = Side guide    **4** = Fixing bracket    **5** = Fabric    **6** = Closing element    **7** = Tubular motor  
**8** = Control module    **9** = Control with operating unit    **10** = Manual release

## bottom bar

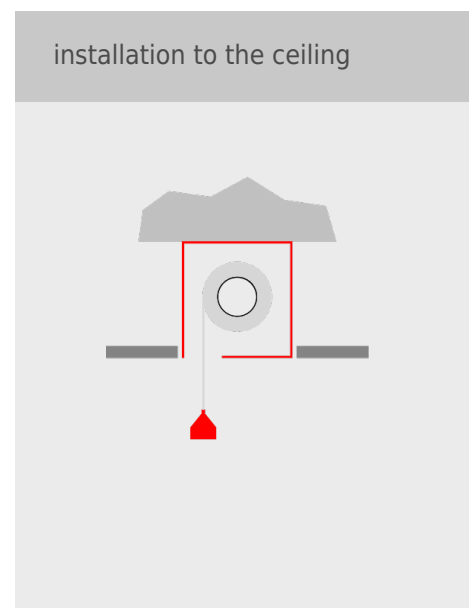
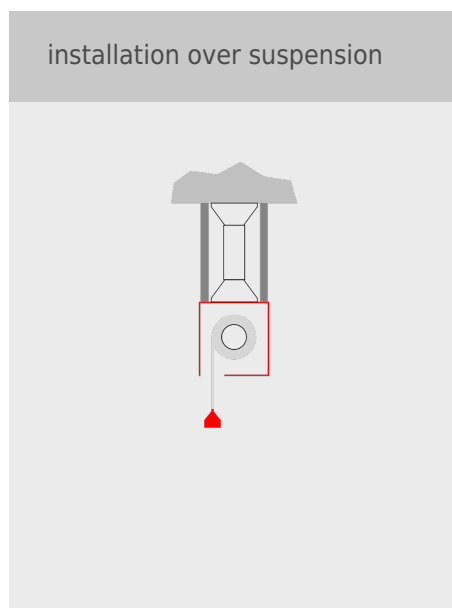
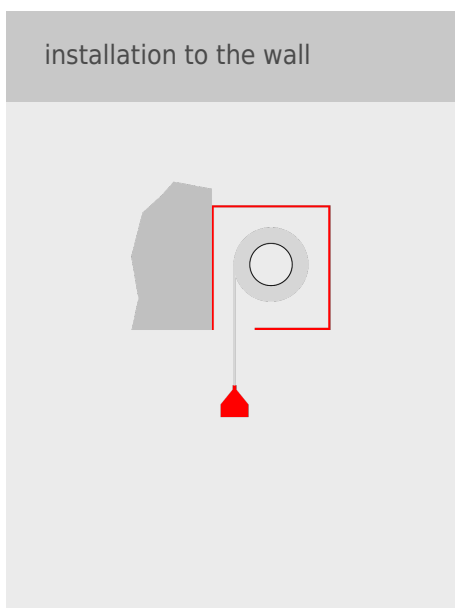
standard



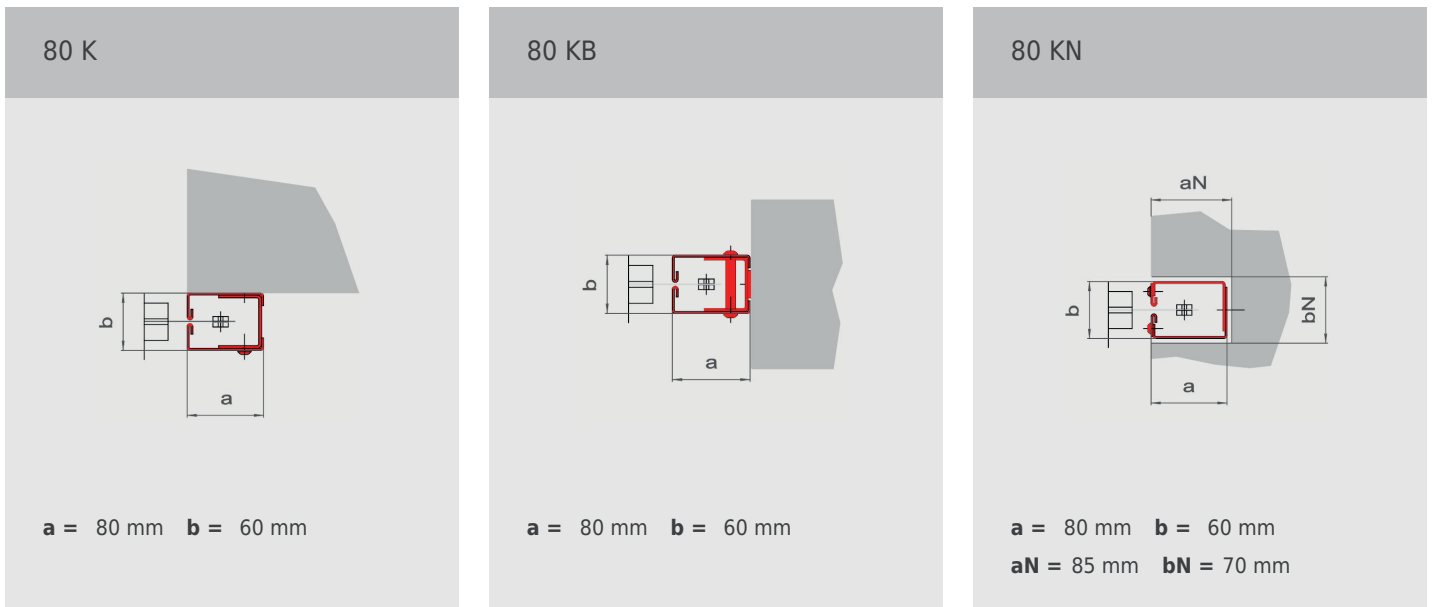
special



## alternatives for installation

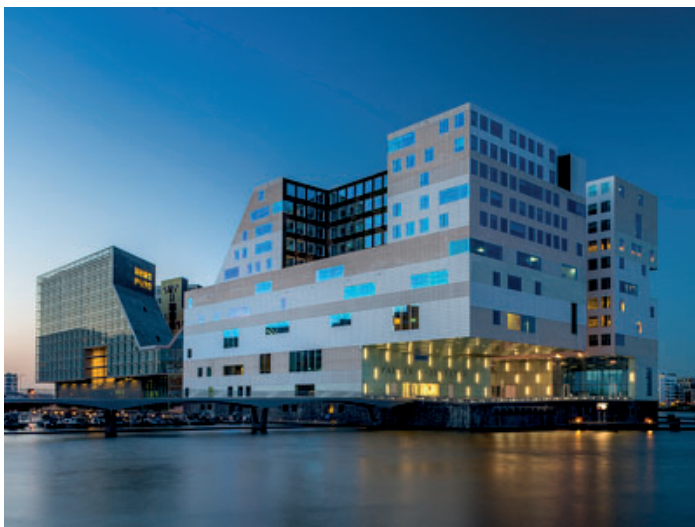


## side guides



## references

Justizpalast, Amsterdam, Holland



Om du behöver mer information eller vill ha en offert kan du ringa till oss på telefon +46 (0)70 751 24 08 eller skicka ett mejl till [info@doorsystem.se](mailto:info@doorsystem.se).

**DOORSYSTEM**  
SWEDEN AB

Profilvägen 1 · S-246 43 Löddeköpinge · [www.doorsystem.se](http://www.doorsystem.se)